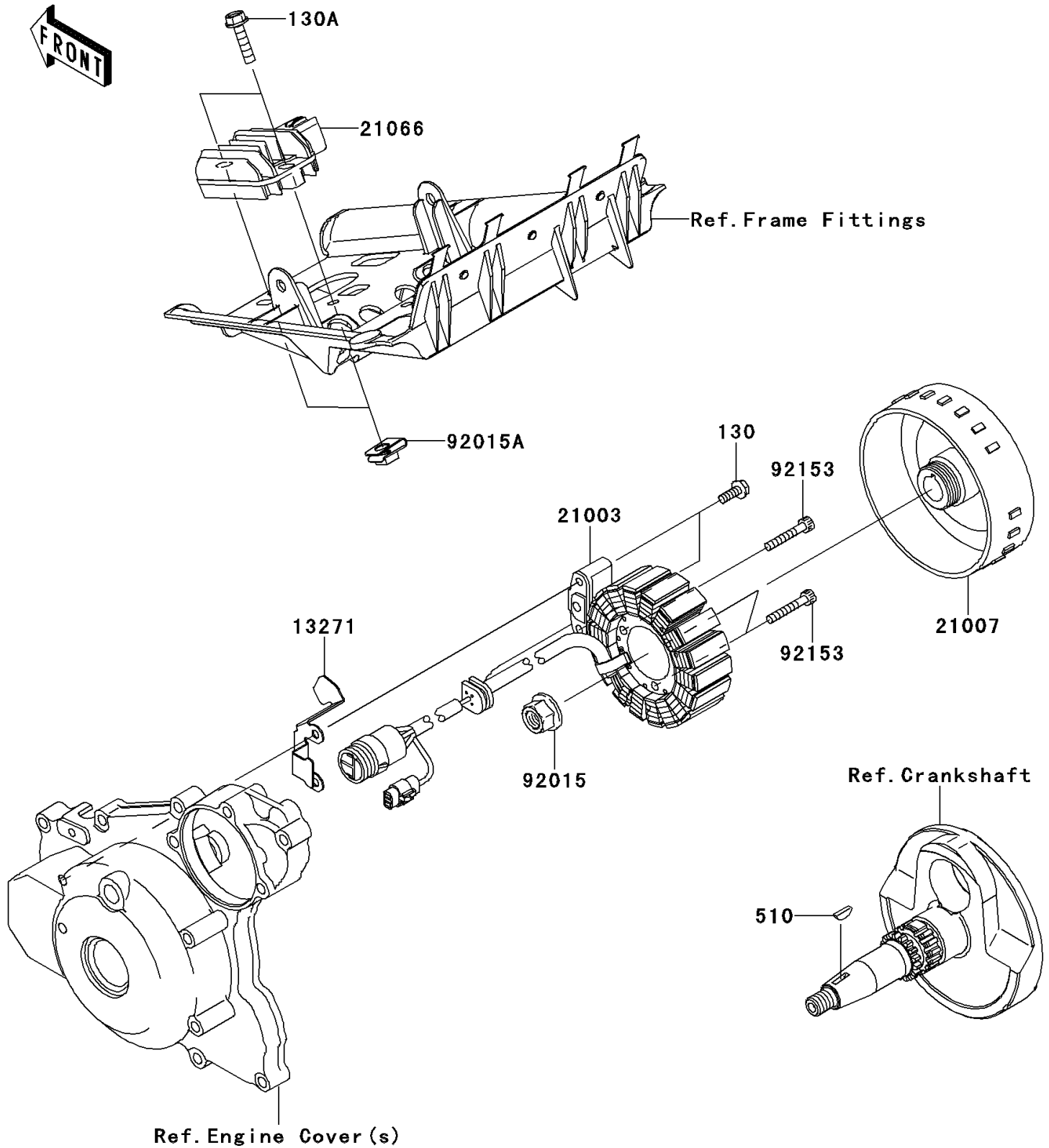


2011 KFX[®] 450R

PARTS DIAGRAM

Generator

E1810



2011 KFX[®] 450R

PARTS LIST

Generator

| ITEM NAME | PART NUMBER | QUANTITY |
|---------------------------------|-------------|----------|
| BOLT-FLANGED,5X14 (Ref # 130) | 130BA0514 | 2 |
| BOLT-FLANGED,6X25 (Ref # 130A) | 130BB0625 | 2 |
| KEY-WOODRUFF (Ref # 510) | 510A3200 | 1 |
| PLATE (Ref # 13271) | 13271-0760 | 1 |
| STATOR (Ref # 21003) | 21003-0067 | 1 |
| ROTOR (Ref # 21007) | 21007-0107 | 1 |
| REGULATOR-VOLTAGE (Ref # 21066) | 21066-0042 | 1 |
| NUT,12MM (Ref # 92015) | 92015-1426 | 1 |
| NUT,6MM (Ref # 92015A) | 92015-1602 | 2 |
| BOLT,SOCKET,5X30 (Ref # 92153) | 92153-1894 | 3 |