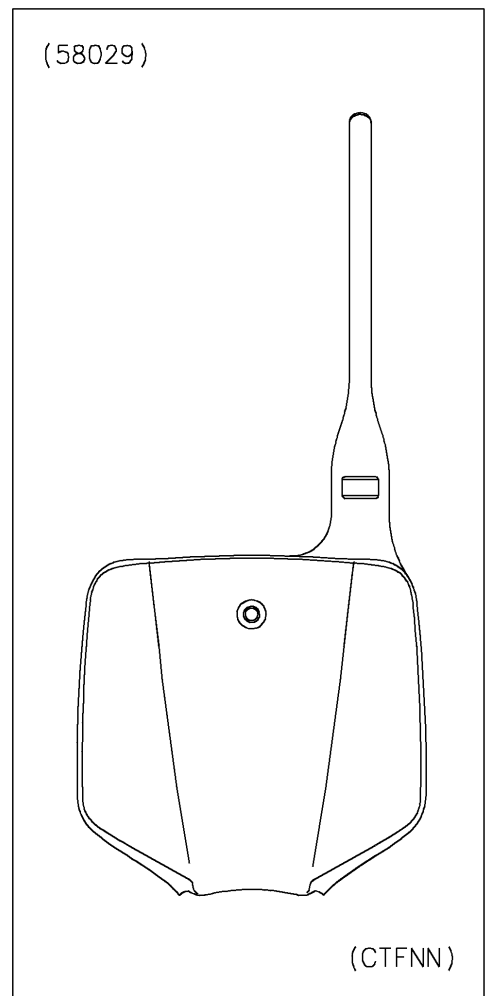
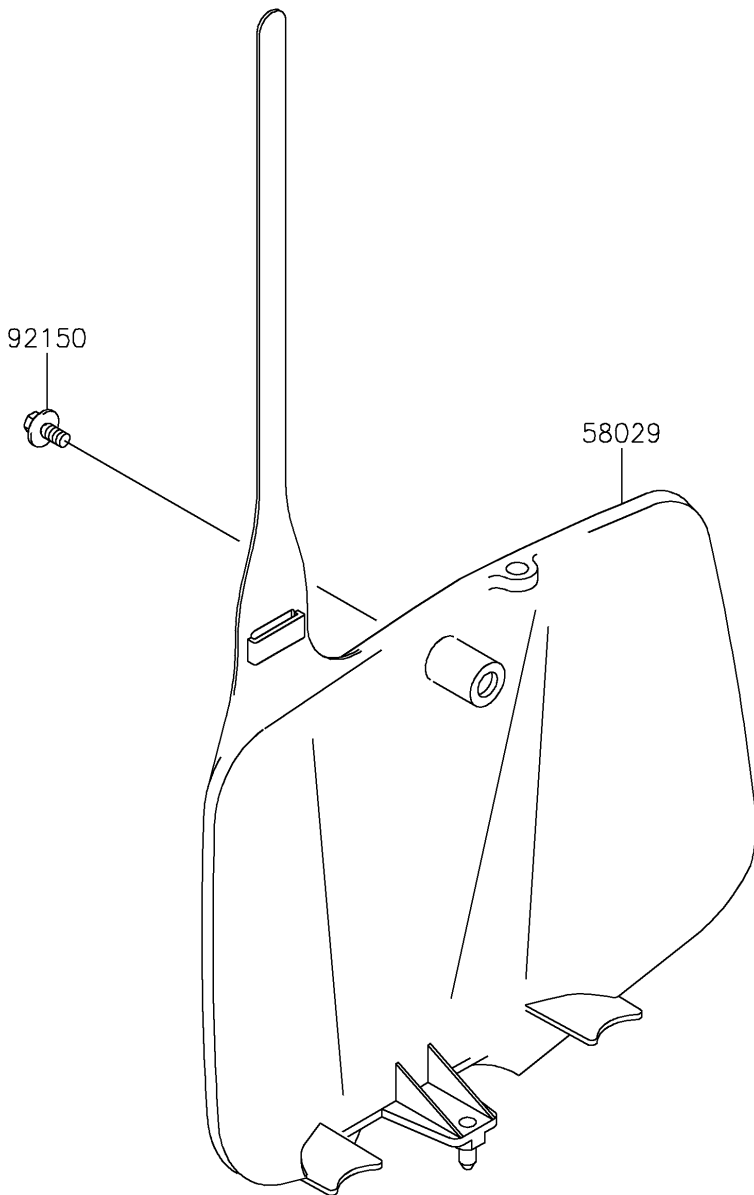


2026 KX™ 65

PARTS DIAGRAM

Accessory

F2910



WOD

2026 KX™ 65

PARTS LIST

Accessory

ITEM NAME	PART NUMBER	QUANTITY
PLATE-NUMBER,L.GREEN (Ref # 58029)	58029-1087-290	1
BOLT,6X14 (Ref # 92150)	92150-1340	1