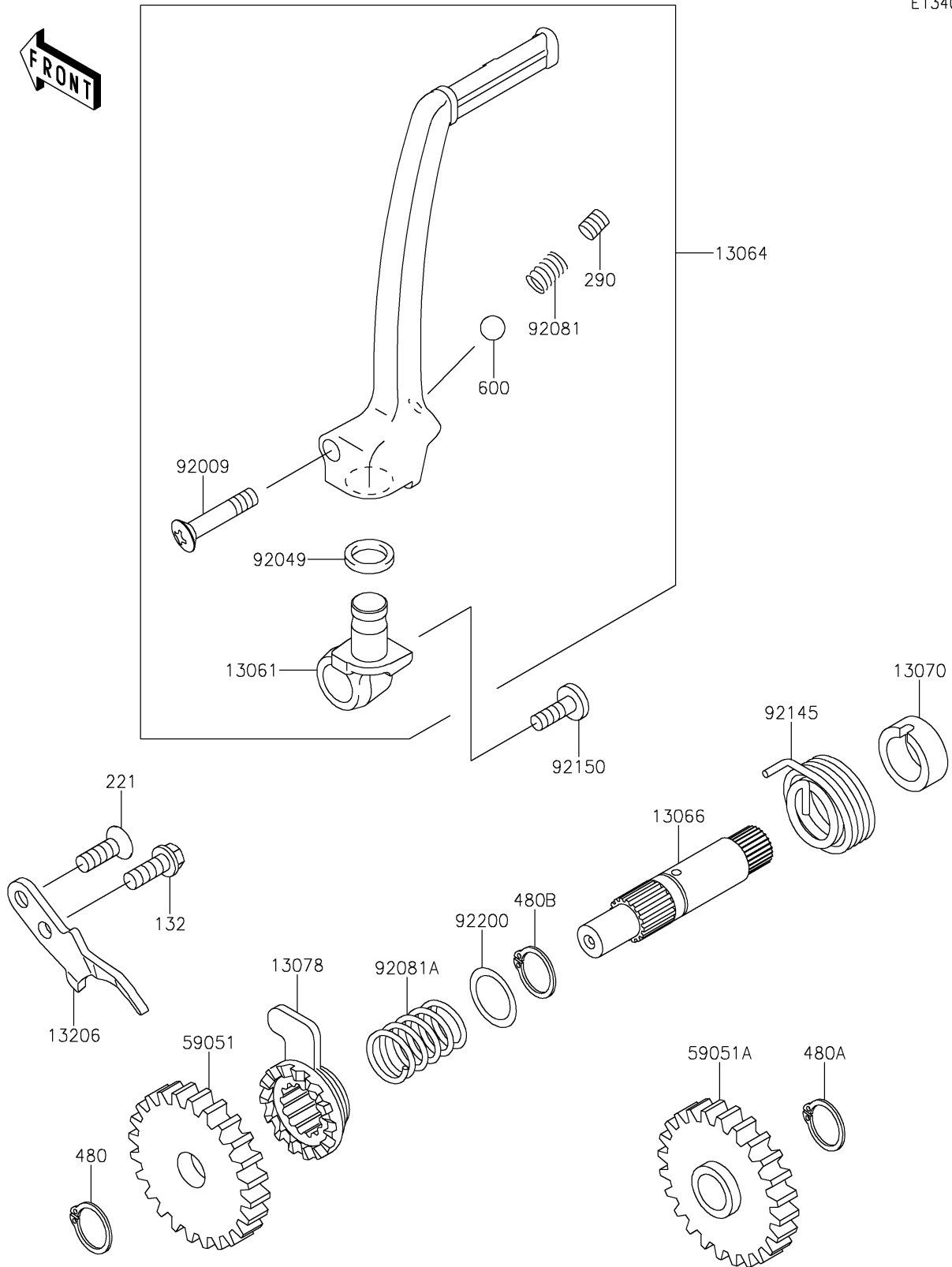


# 2026 KX™ 65

## PARTS DIAGRAM

### Kickstarter Mechanism

E1340



# 2026 KX™ 65

## PARTS LIST

### Kickstarter Mechanism

ITEM NAME	PART NUMBER	QUANTITY
-----------	-------------	----------

---