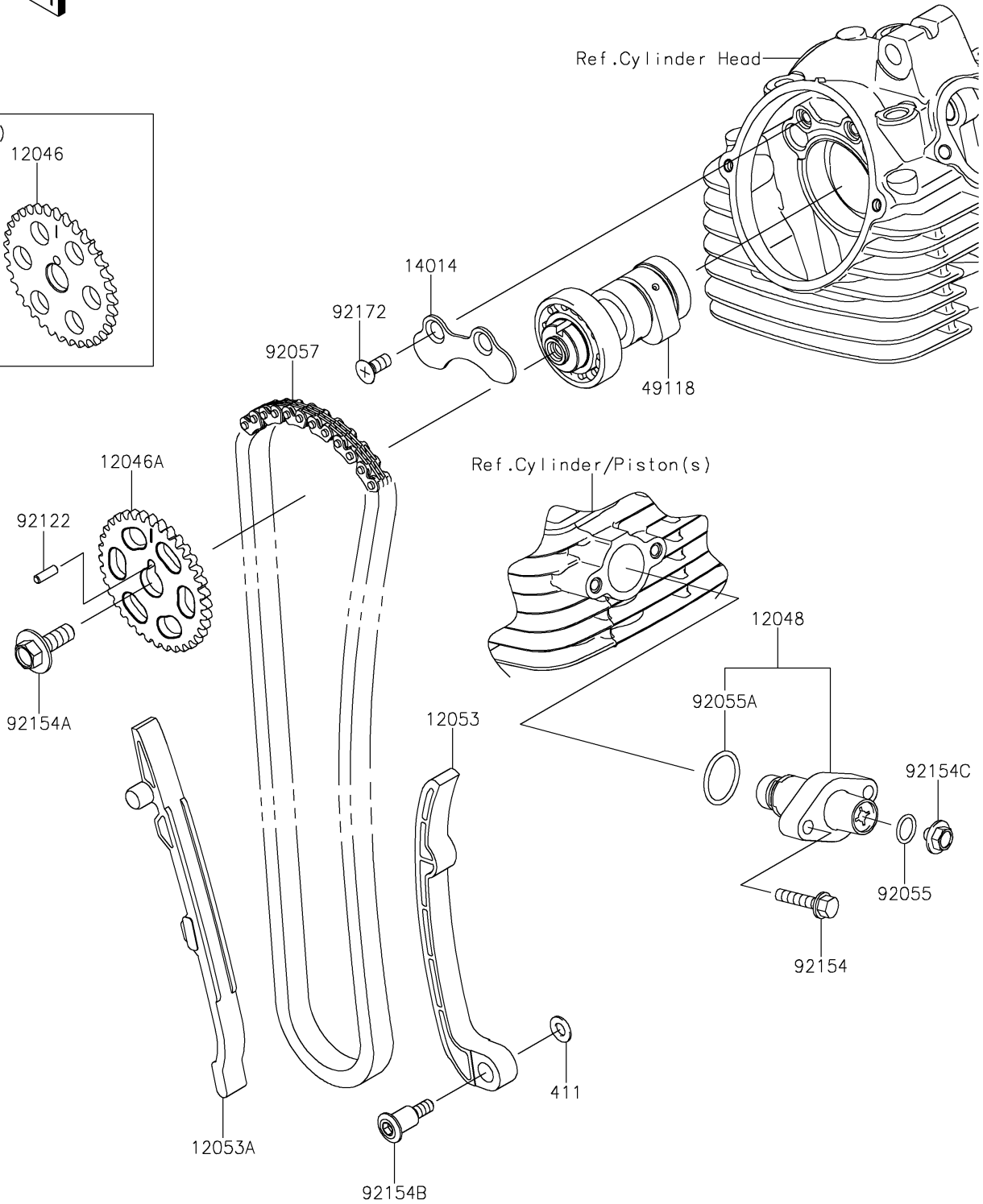
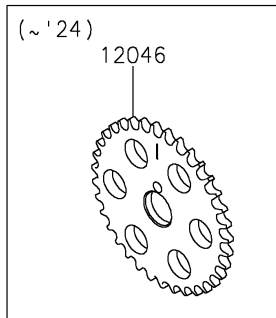


2025 KLX[®]140R F

PARTS DIAGRAM

Camshaft(s)/Tensioner

E1230



2025 KLX®140R F

PARTS LIST

Camshaft(s)/Tensioner

| ITEM NAME | PART NUMBER | QUANTITY |
|----------------------------------|-------------|----------|
| SPROCKET,36T (Ref # 12046) | 12046-0084 | 1 |
| SPROCKET,36T (Ref # 12046A) | 12046-0661 | 1 |
| TENSIONER-ASSY (Ref # 12048) | 12048-0124 | 1 |
| GUIDE-CHAIN,RR (Ref # 12053) | 12053-0198 | 1 |
| GUIDE-CHAIN,FR (Ref # 12053A) | 12053-0215 | 1 |
| PLATE-POSITION (Ref # 14014) | 14014-0577 | 1 |
| CAMSHAFT-COMP (Ref # 49118) | 49118-1284 | 1 |
| RING-O,9.8X2.4 (Ref # 92055) | 92055-0060 | 1 |
| RING-O,23.2X2.4 (Ref # 92055A) | 92055-1721 | 1 |
| CHAIN,CAM (Ref # 92057) | 92057-0747 | 1 |
| ROLLER (Ref # 92122) | 92122-0011 | 1 |
| BOLT,FLANGED,6X25 (Ref # 92154) | 92154-1144 | 2 |
| BOLT,FLANGED,8X23 (Ref # 92154A) | 92154-1162 | 1 |
| BOLT,SOCKET (Ref # 92154B) | 92154-1163 | 1 |
| BOLT,FLANGED,6X6 (Ref # 92154C) | 92154-1229 | 1 |
| SCREW,6X14 (Ref # 92172) | 92172-0832 | 2 |
| WASHER-PLAIN,6MM (Ref # 411) | 411AA0600 | 1 |