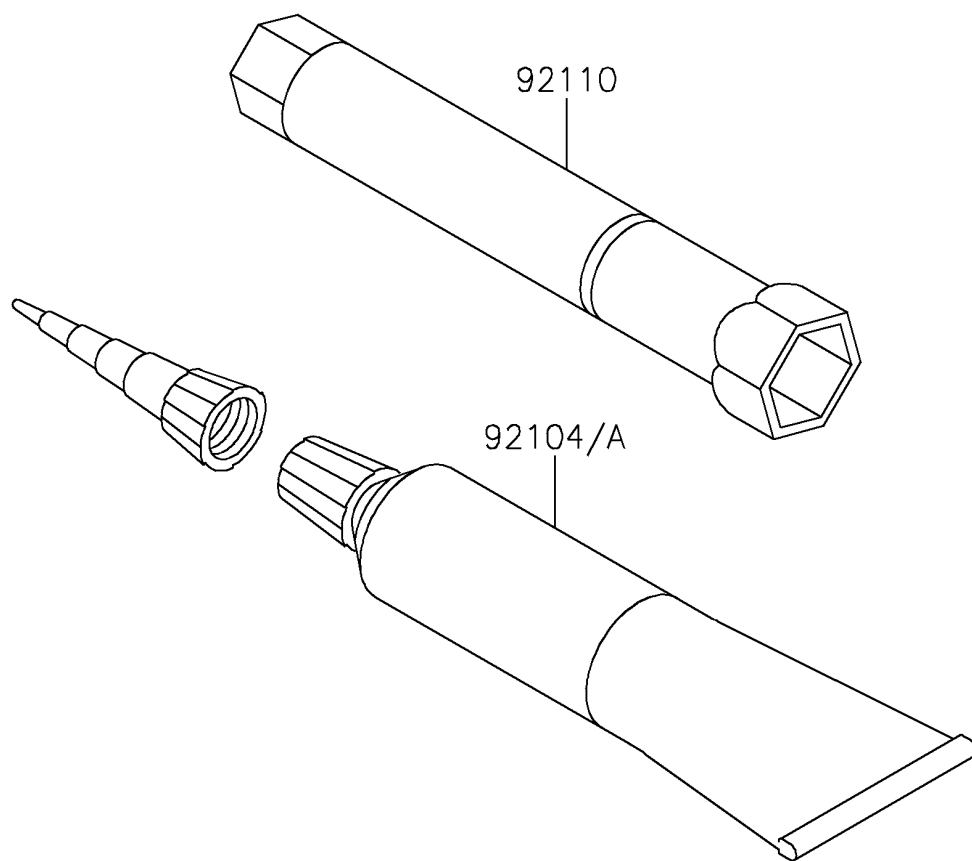


# 2024 KLX<sup>®</sup>140R L

## PARTS DIAGRAM

### Owner's Tools

F2810



# 2024 KLX<sup>®</sup>140R L

## PARTS LIST

### Owner's Tools



ITEM NAME	PART NUMBER	QUANTITY
-----------	-------------	----------

---