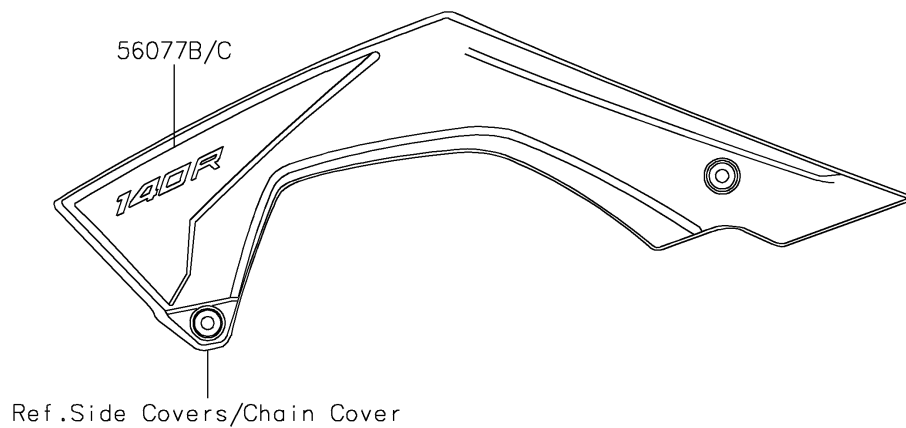
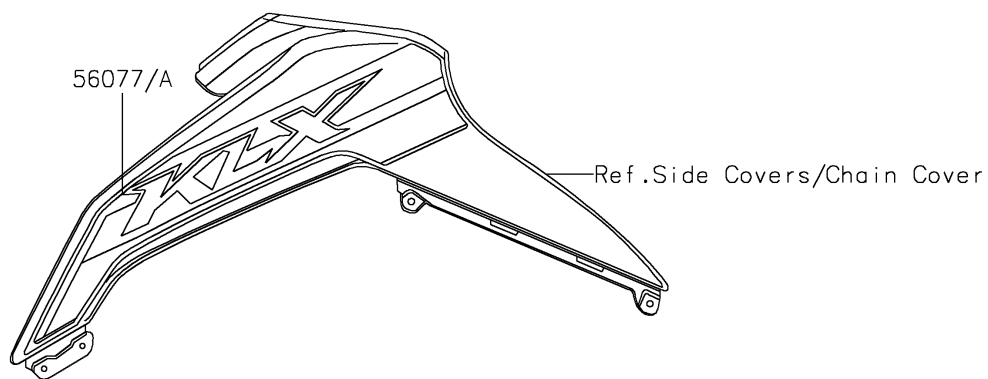
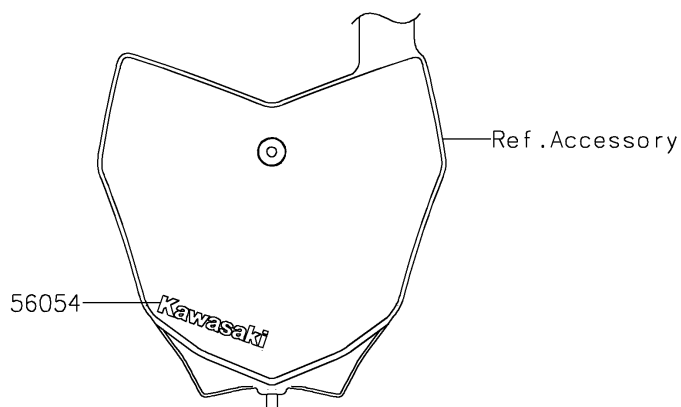


# 2026 KLX<sup>®</sup>140R

## PARTS DIAGRAM

### Decals(Green)(ARFNN)

F2861B



# 2026 KLX<sup>®</sup>140R

## PARTS LIST

Decals(Green)(ARFNN)

**ITEM NAME**

**PART NUMBER**

**QUANTITY**

---