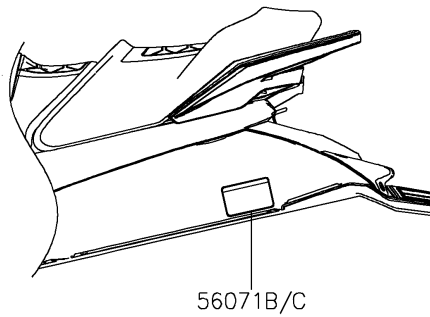
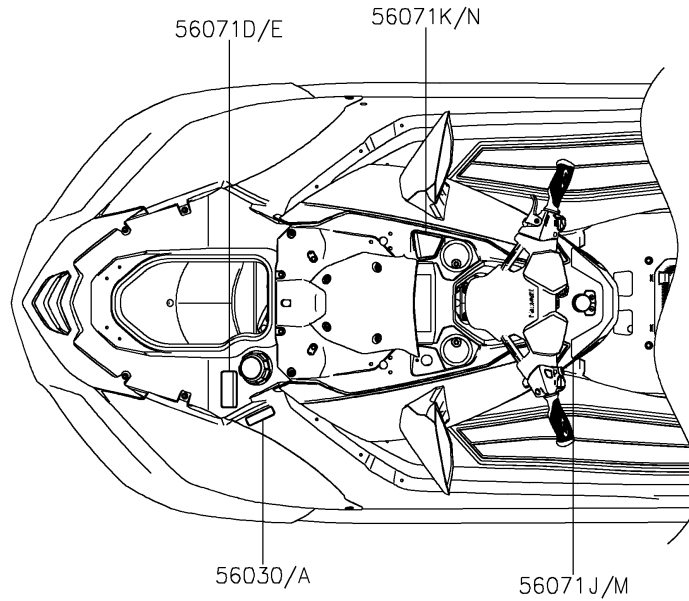


# 2025 Ultra 160LX-S Angler

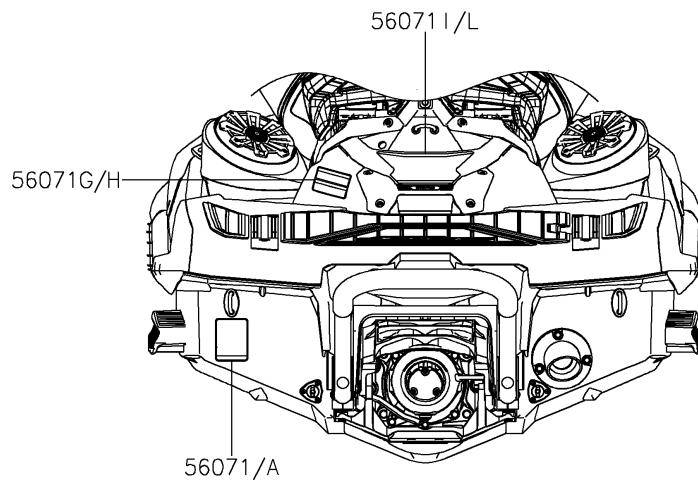
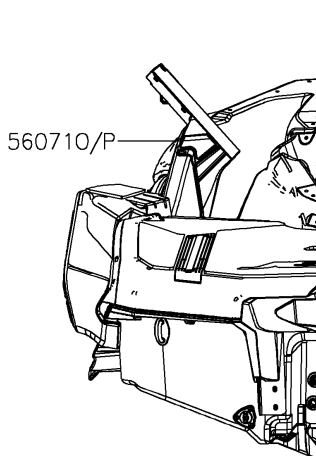
## PARTS DIAGRAM

### Labels

F3183



56071F/Q



# 2025 Ultra 160LX-S Angler

## PARTS LIST

### Labels

**ITEM NAME**

**PART NUMBER**

**QUANTITY**

---