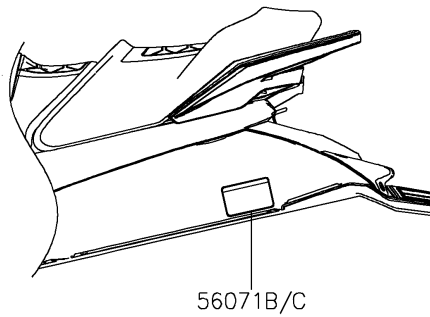
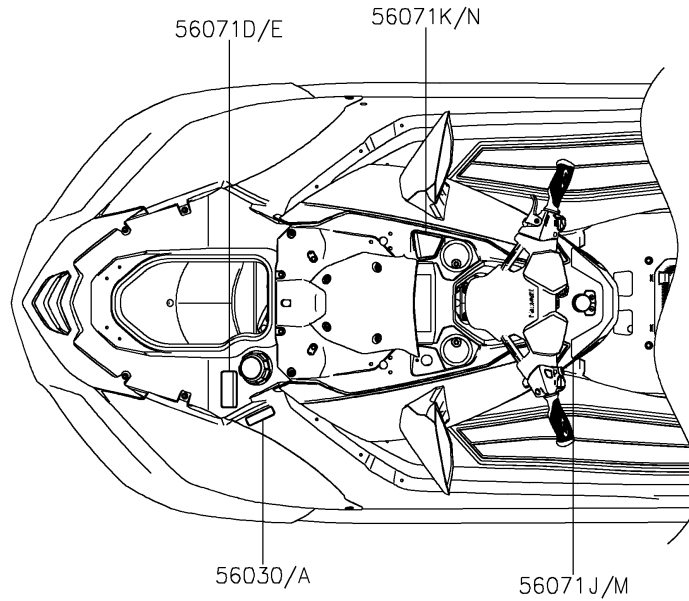


2025 JET SKI® ULTRA® 160LX-S ANGLER

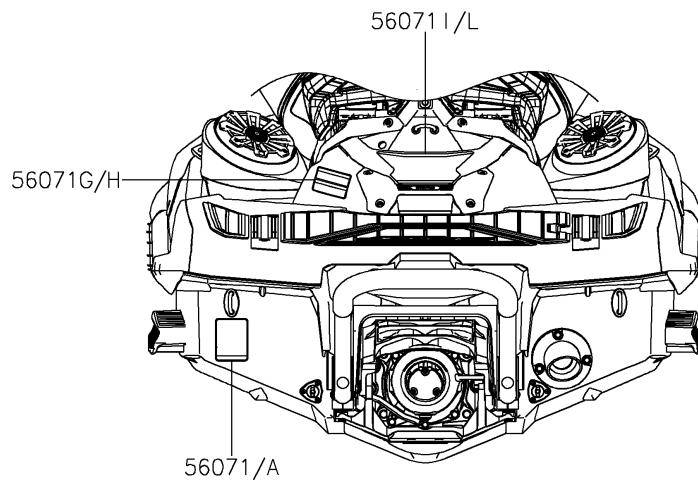
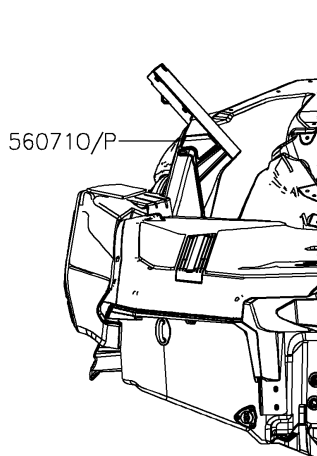
PARTS DIAGRAM

Labels

F3183



56071F/Q



2025 JET SKI® ULTRA® 160LX-S ANGLER



PARTS LIST

Labels

ITEM NAME	PART NUMBER	QUANTITY
LABEL,FIRE EXTINGUISHER (Ref # 56030)	56030-3755	1
LABEL-WARNING,RIGHTING (Ref # 56071)	56071-0398	1
LABEL-WARNING,GRAB,HANDLE,STEP (Ref # 56071B)	56071-0402	1
LABEL-WARNING,FUEL SUPPLY (Ref # 56071D)	56071-0424	1
LABEL-WARNING,DAMPER (Ref # 56071F)	56071-0568	3
LABEL-WARNING,REBOARDING (Ref # 56071G)	56071-0904	1
LABEL-WARNING,RIDER SAFETY (Ref # 56071I)	56071-0962	1
LABEL-WARNING,HELM (Ref # 56071J)	56071-0963	1
LABEL-WARNING,VENTILATION (Ref # 56071K)	56071-0964	1
LABEL-WARNING,ROD HOLDER (Ref # 56071O)	56071-1107	1