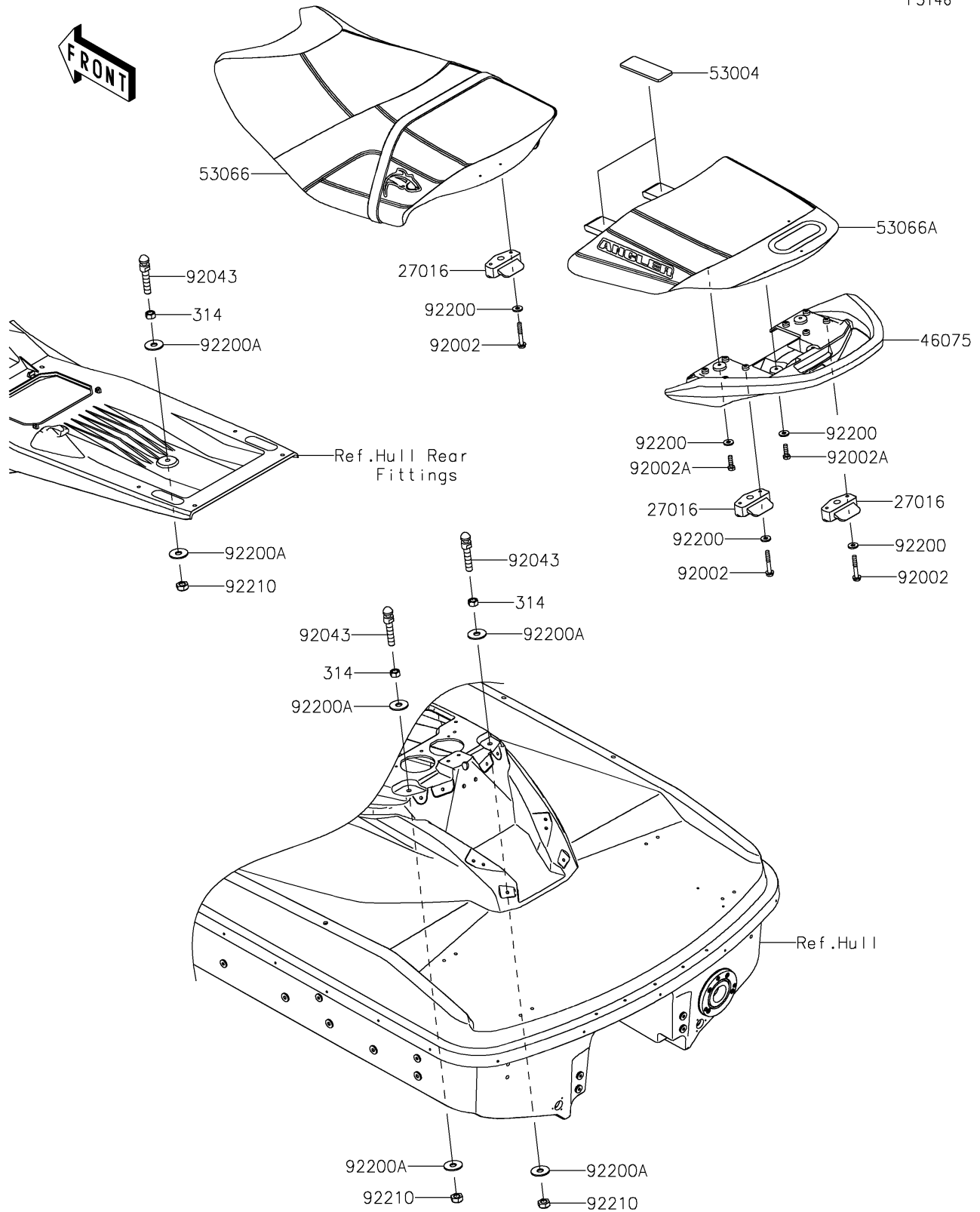


2025 Ultra 160LX-S Angler

PARTS DIAGRAM

Seat

F3146



2025 Ultra 160LX-S Angler

PARTS LIST

Seat

ITEM NAME	PART NUMBER	QUANTITY
-----------	-------------	----------
