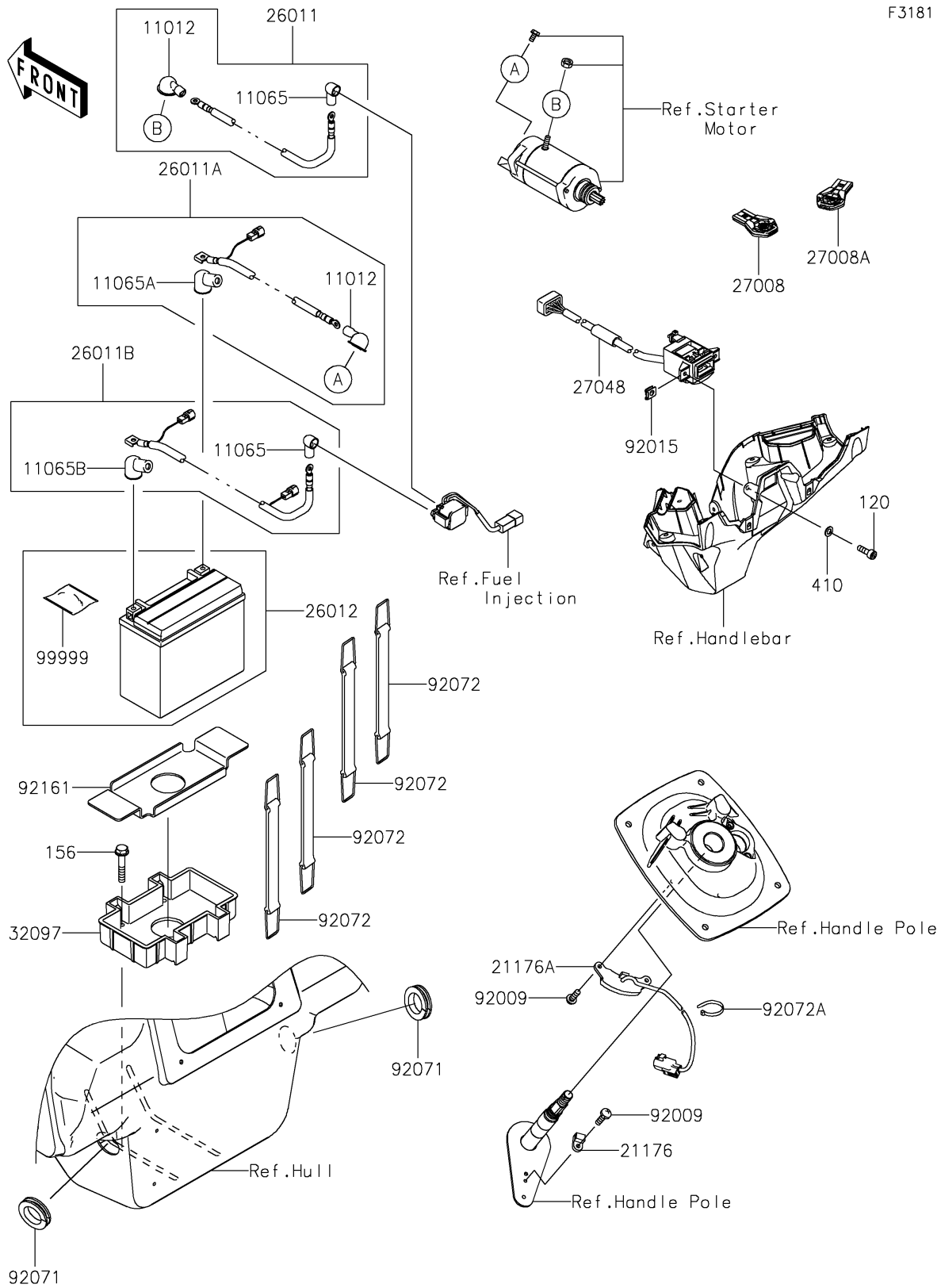


2024 JET SKI® ULTRA® 310LX-S

PARTS DIAGRAM Electrical Equipment



2024 JET SKI® ULTRA® 310LX-S



PARTS LIST

Electrical Equipment

ITEM NAME	PART NUMBER	QUANTITY
-----------	-------------	----------
