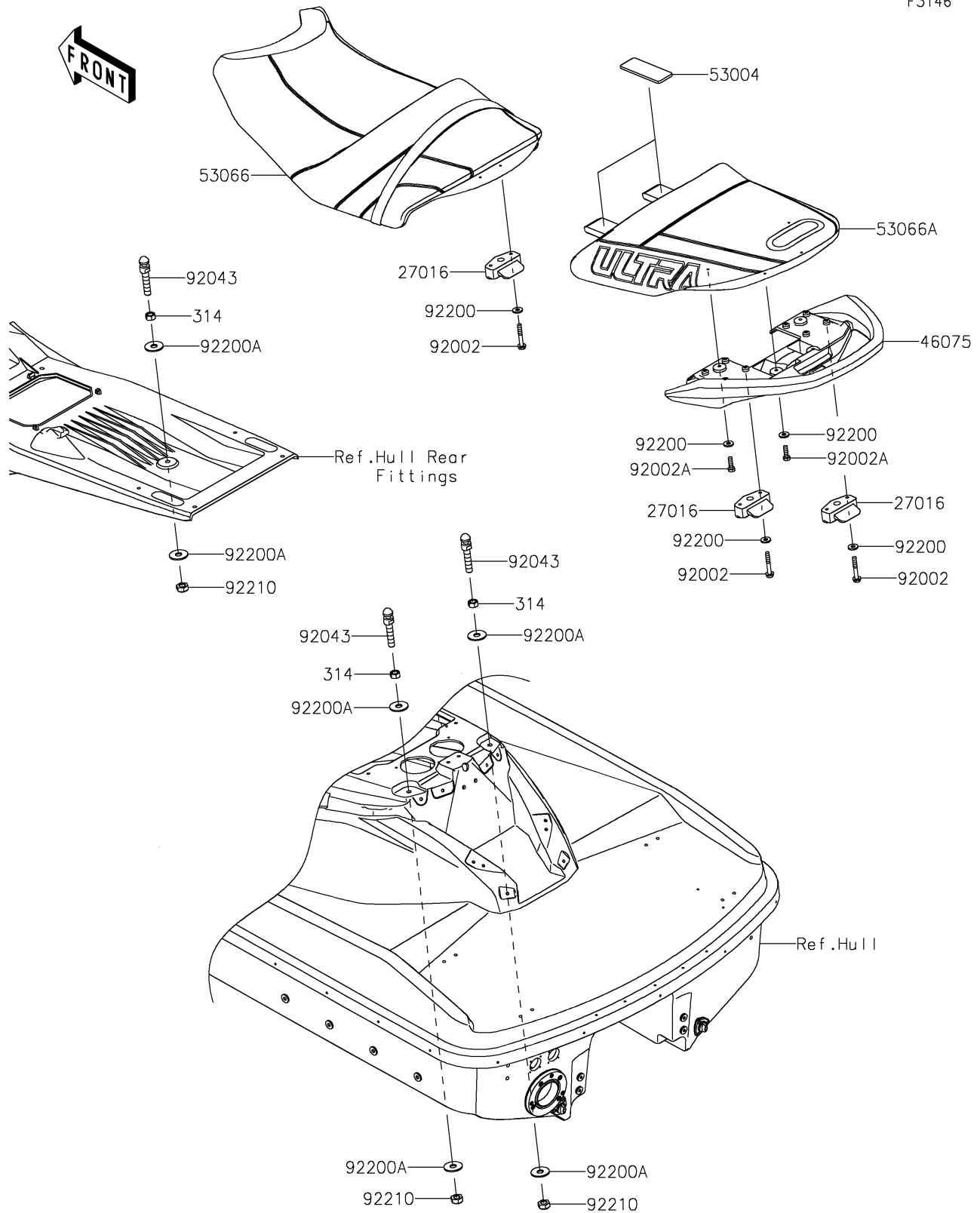


2024 JET SKI® ULTRA® 310LX-S

PARTS DIAGRAM

Seat

F3146



2024 JET SKI® ULTRA® 310LX-S

PARTS LIST

Seat

| ITEM NAME | PART NUMBER | QUANTITY |
|-----------|-------------|----------|
|-----------|-------------|----------|
