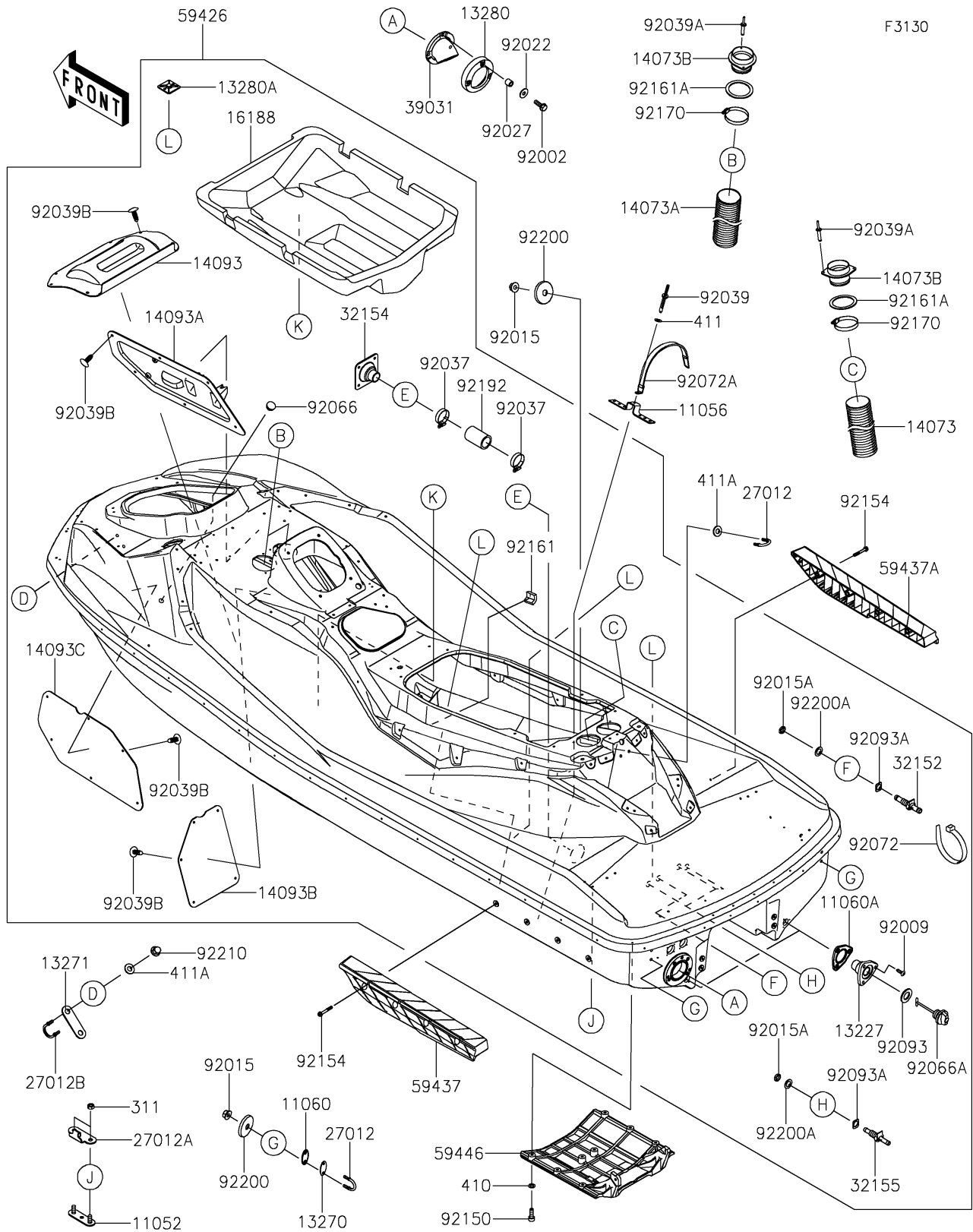


2024 JET SKI® ULTRA® 310LX-S

PARTS DIAGRAM

Hull



2024 JET SKI® ULTRA® 310LX-S



PARTS LIST

Hull

ITEM NAME	PART NUMBER	QUANTITY
-----------	-------------	----------