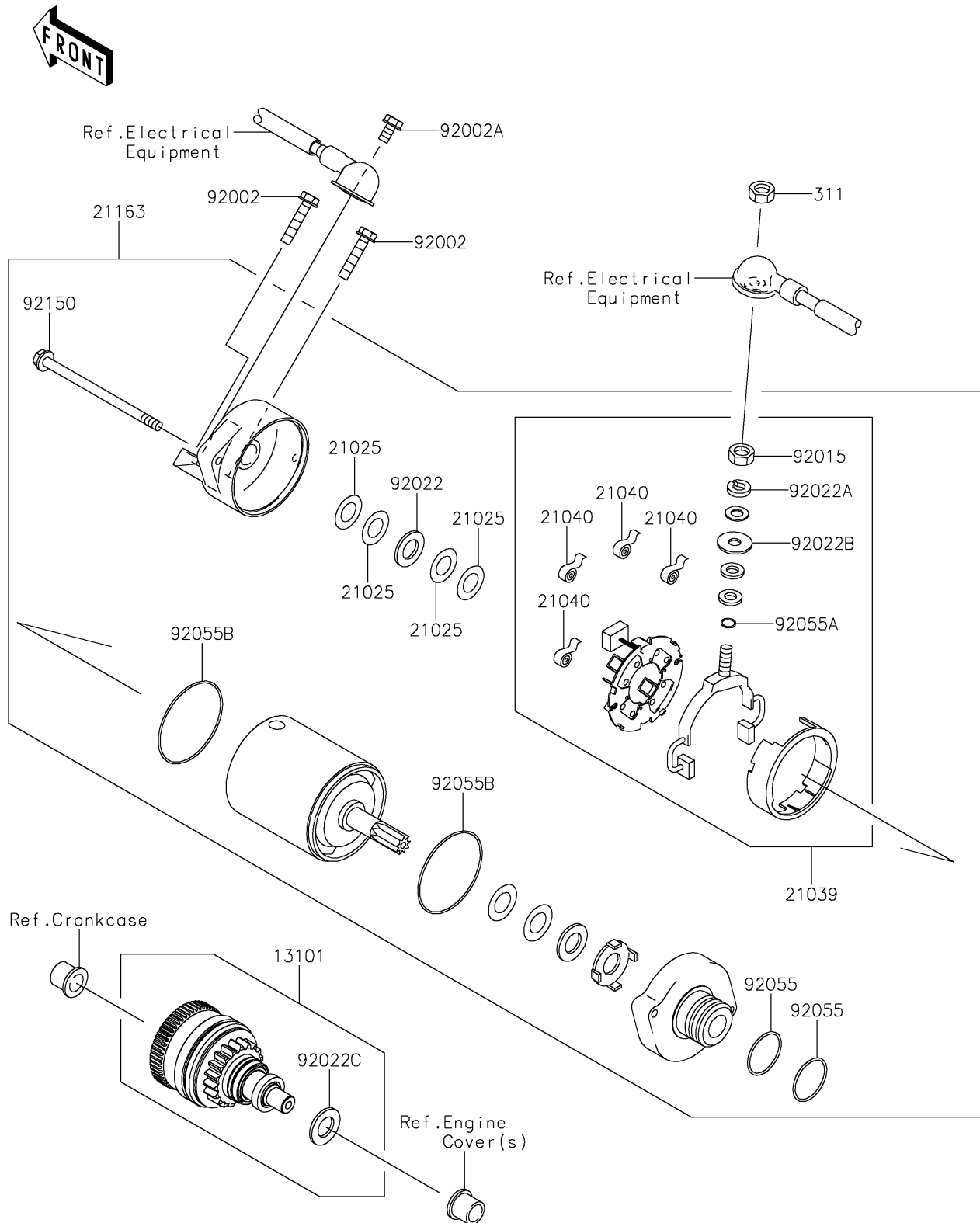


# 2024 JET SKI® ULTRA® 310LX-S

## PARTS DIAGRAM

### Starter Motor

E1840



# 2024 JET SKI® ULTRA® 310LX-S

## PARTS LIST

### Starter Motor

ITEM NAME	PART NUMBER	QUANTITY
-----------	-------------	----------

---