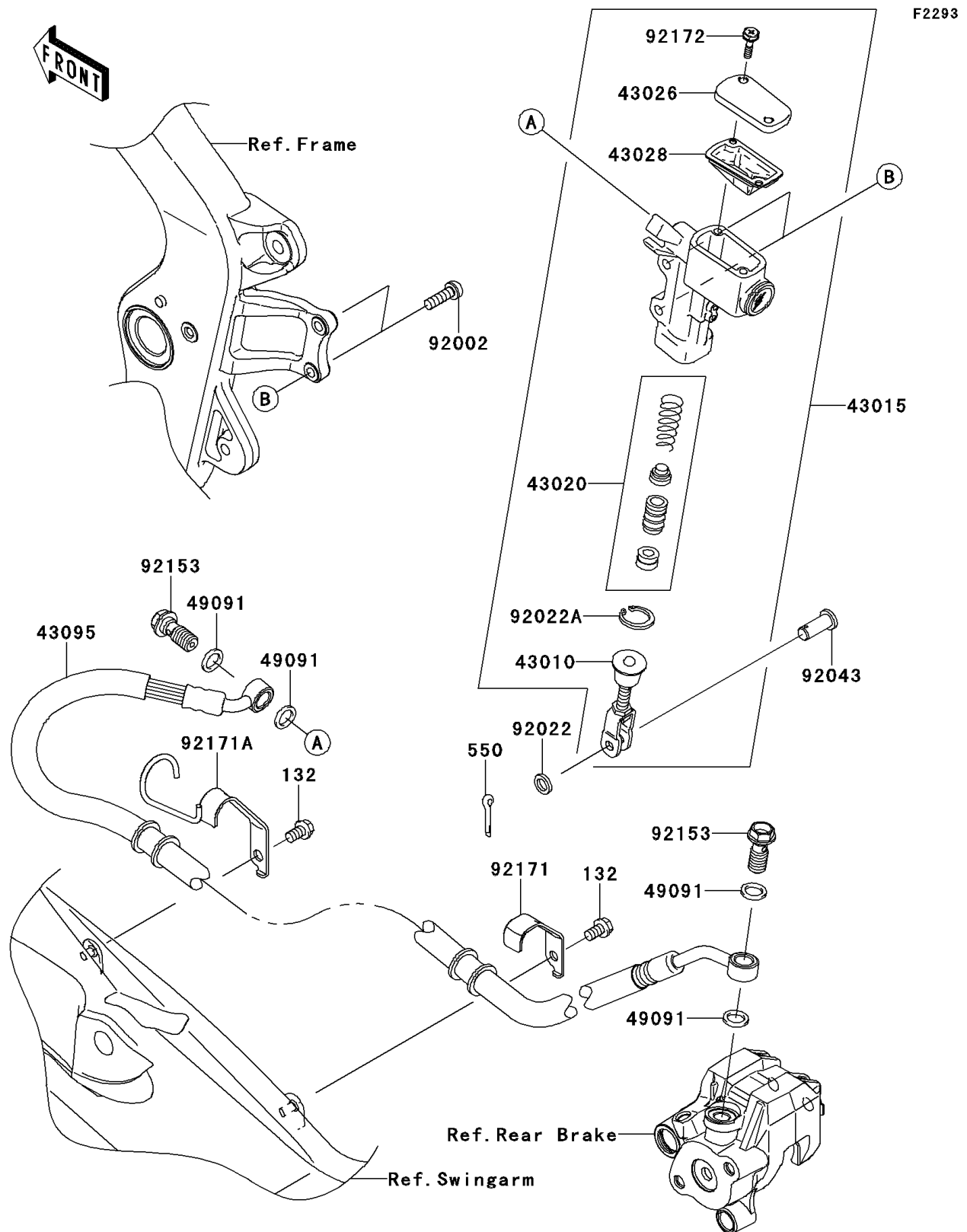


# 2009 KFX<sup>®</sup> 450R

## PARTS DIAGRAM

### Rear Master Cylinder



# 2009 KFX<sup>®</sup> 450R

## PARTS LIST

### Rear Master Cylinder

ITEM NAME	PART NUMBER	QUANTITY
BOLT-FLANGED-SMALL,6X10 (Ref # 132)	132BA0610	2
PIN-COTTER,2.0X15 (Ref # 550)	550AA2015	1
ROD-ASSY-BRAKE (Ref # 43010)	43010-0006	1
CYLINDER-ASSY-MASTER,RR (Ref # 43015)	43015-0107	1
PISTON-COMP-BRAKE (Ref # 43020)	43020-1094	1
CAP-BRAKE (Ref # 43026)	43026-1086	1
DIAPHRAGM (Ref # 43028)	43028-1092	1
HOSE-BRAKE,RR (Ref # 43095)	43095-0345	1
WASHER-SEAL,10.1X14.5X1.5 (Ref # 49091)	49091-0001	4
BOLT,6X20 (Ref # 92002)	92002-1418	2
WASHER,8.5X13X1 (Ref # 92022)	92022-1028	1
WASHER,CIRCRIP (Ref # 92022A)	92022-1601	1
PIN (Ref # 92043)	92043-0004	1
BOLT,OIL,L=23 (Ref # 92153)	92153-0627	2
CLAMP (Ref # 92171)	92171-0661	1
CLAMP (Ref # 92171A)	92171-1648	1
SCREW (Ref # 92172)	92172-0286	2