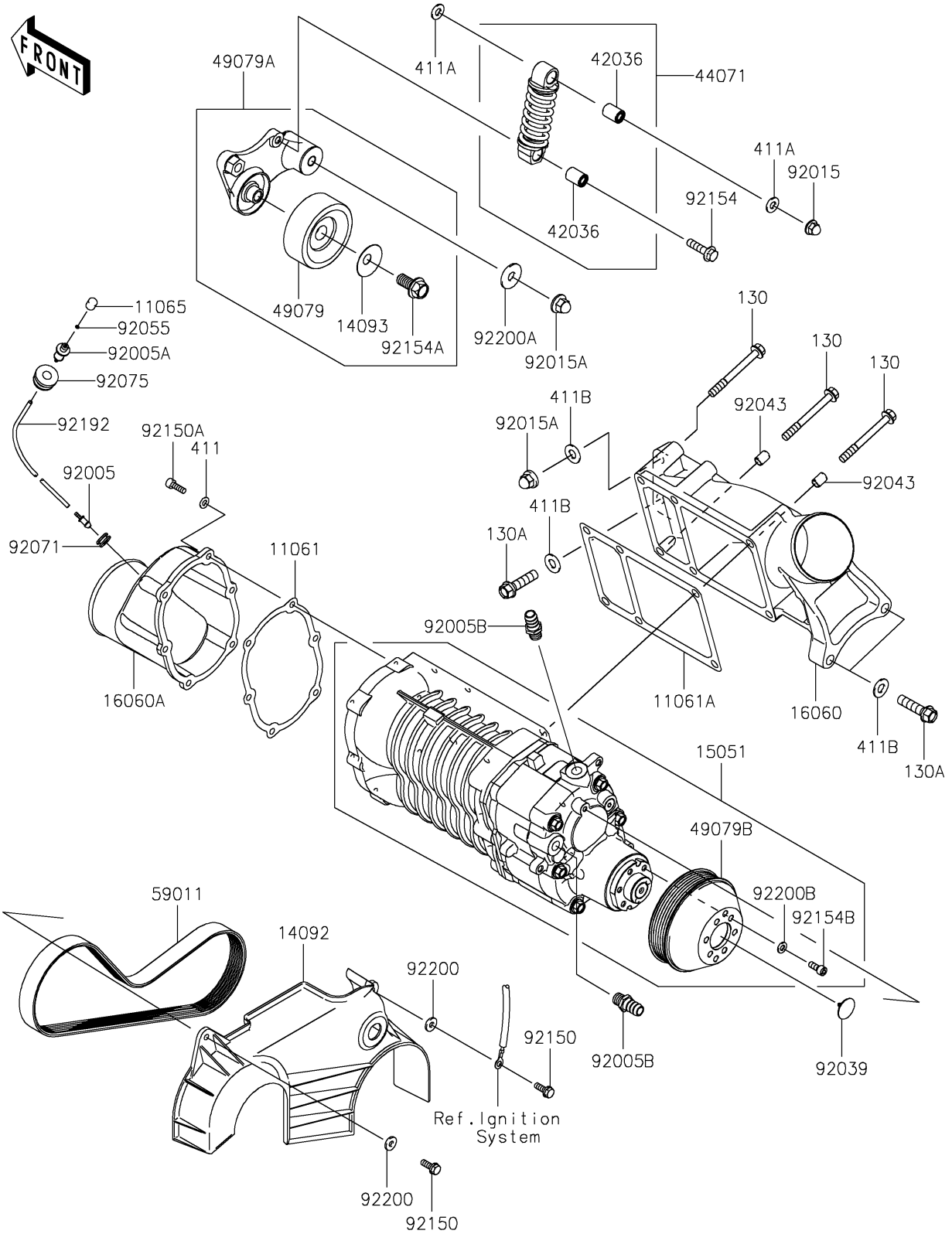


2024 JET SKI® ULTRA® 310LX-S

PARTS DIAGRAM

Super Charger

E1460



2024 JET SKI® ULTRA® 310LX-S



PARTS LIST

Super Charger

ITEM NAME	PART NUMBER	QUANTITY
-----------	-------------	----------