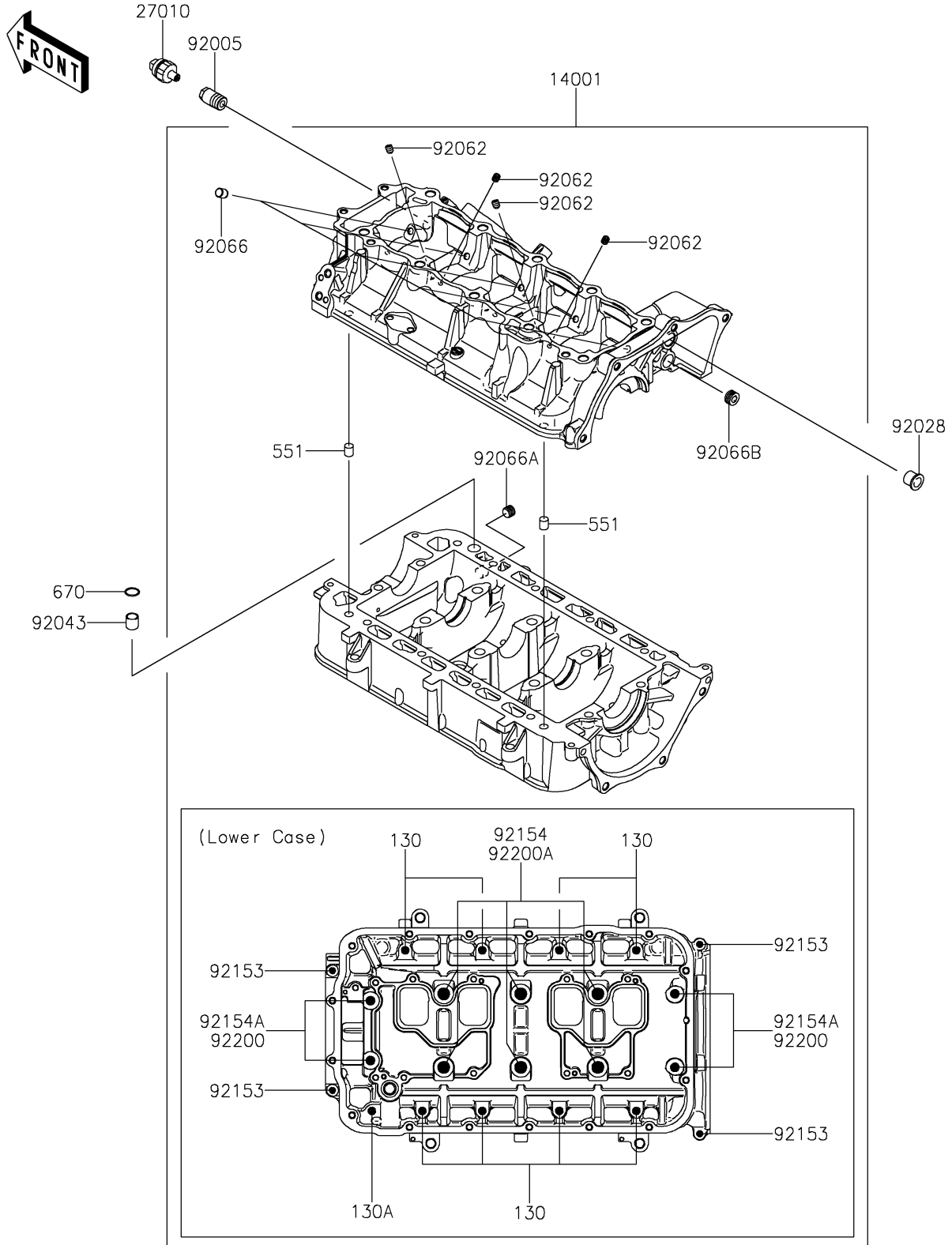


2024 JET SKI® ULTRA® 310LX-S

PARTS DIAGRAM

Crankcase

E1411



2024 JET SKI® ULTRA® 310LX-S

PARTS LIST

Crankcase

ITEM NAME	PART NUMBER	QUANTITY
-----------	-------------	----------
