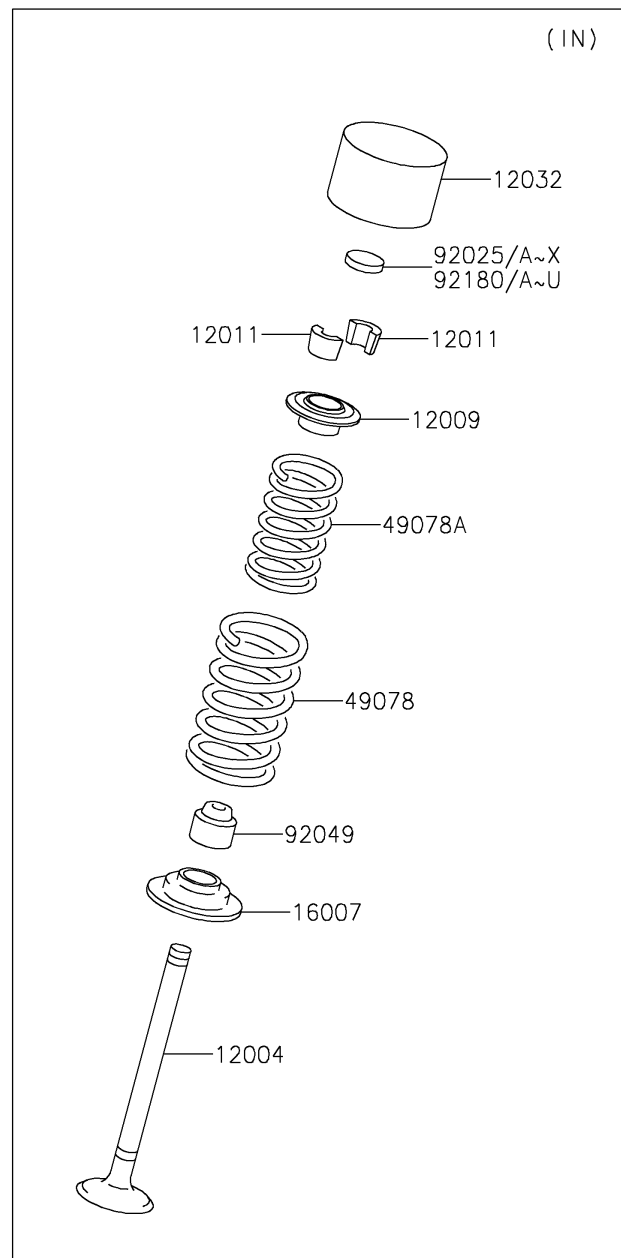
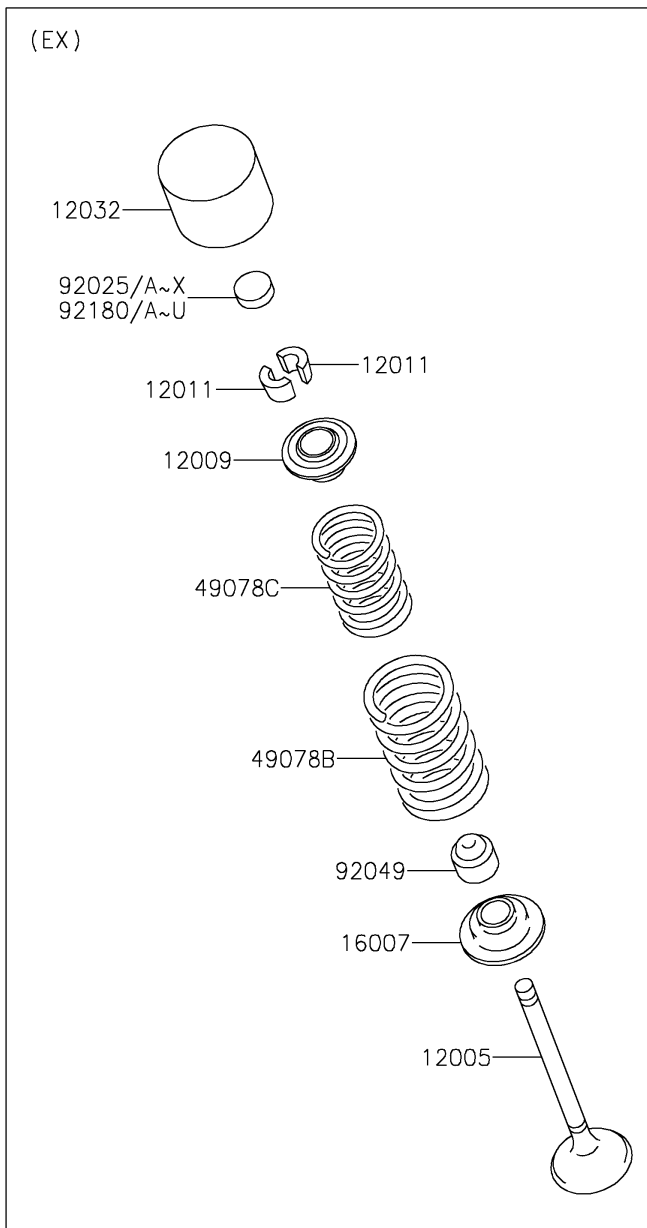


2024 JET SKI® ULTRA® 310LX-S

PARTS DIAGRAM

Valve(s)

E1210



2024 JET SKI® ULTRA® 310LX-S

PARTS LIST

Valve(s)

ITEM NAME	PART NUMBER	QUANTITY
-----------	-------------	----------
