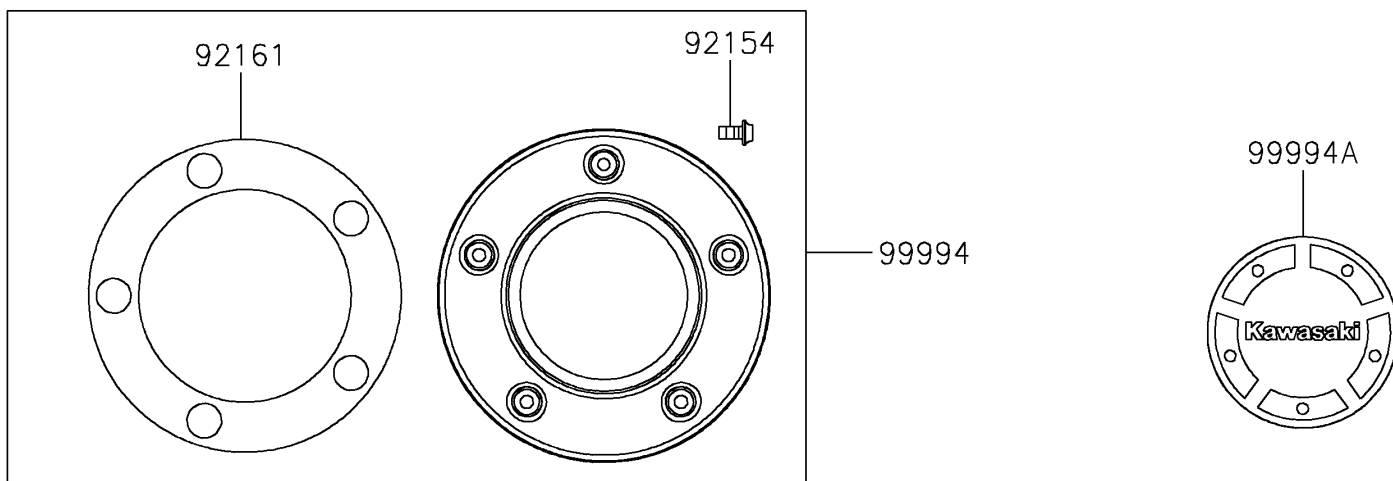


2026 Vulcan S

PARTS DIAGRAM

Accessory(Decals)

F2910G



2026 Vulcan S

PARTS LIST

Accessory(Decals)

| ITEM NAME | PART NUMBER | QUANTITY |
|--|-------------|----------|
| BOLT,SOCKET,5X10 (Ref # 92154) | 92154-1691 | 5 |
| DAMPER (Ref # 92161) | 92161-1767 | 1 |
| KIT-ACCESSORY,MARK,PLATING (Ref # 99994) | 99994-0580 | 1 |
| KIT-ACCESSORY,MARK,KAWASAKI (Ref # 99994A) | 99994-0600 | 1 |