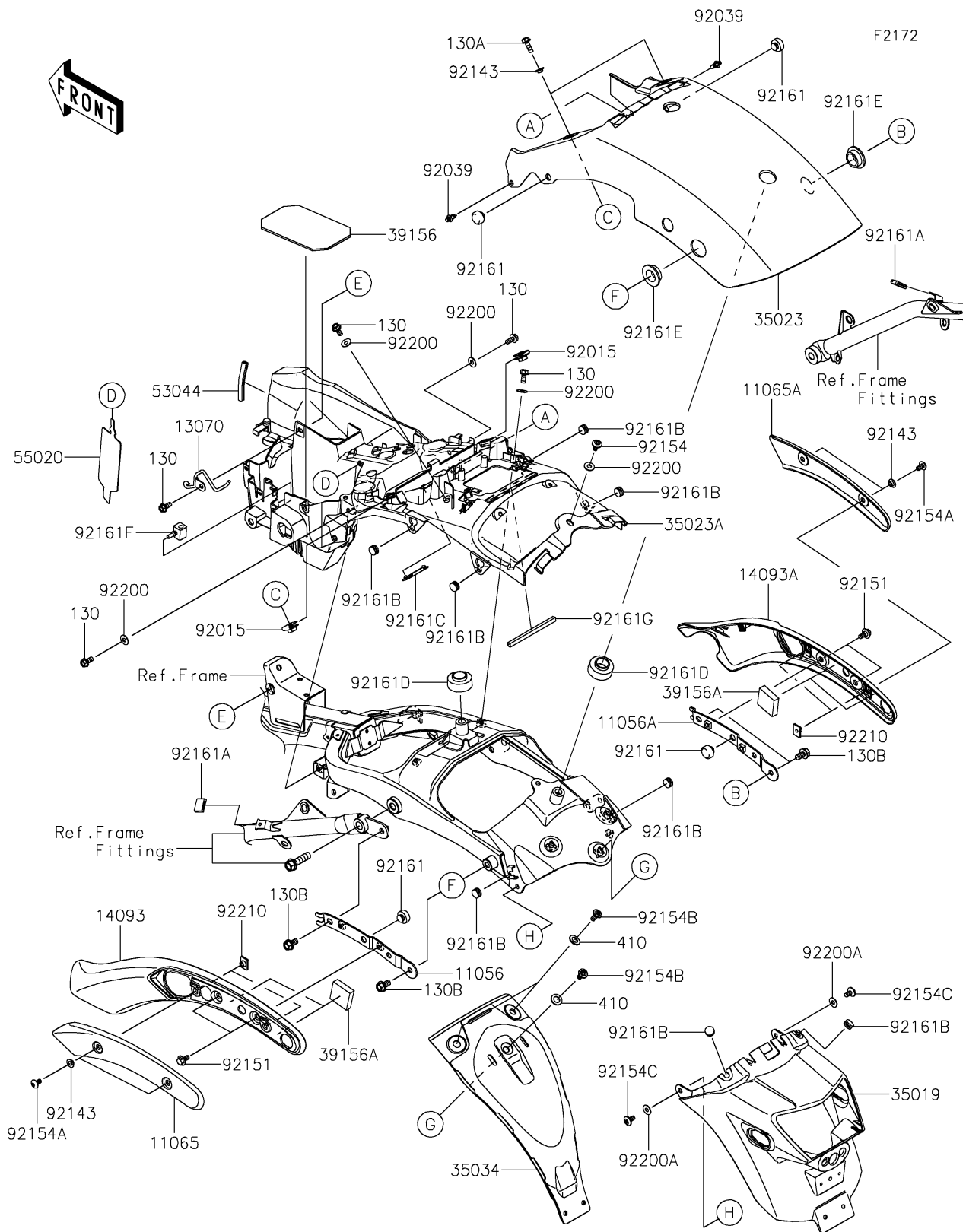


# 2026 Vulcan S

## PARTS DIAGRAM

### Rear Fender(s)



# 2026 Vulcan S

## PARTS LIST

Rear Fender(s)

**ITEM NAME**

**PART NUMBER**

**QUANTITY**

---