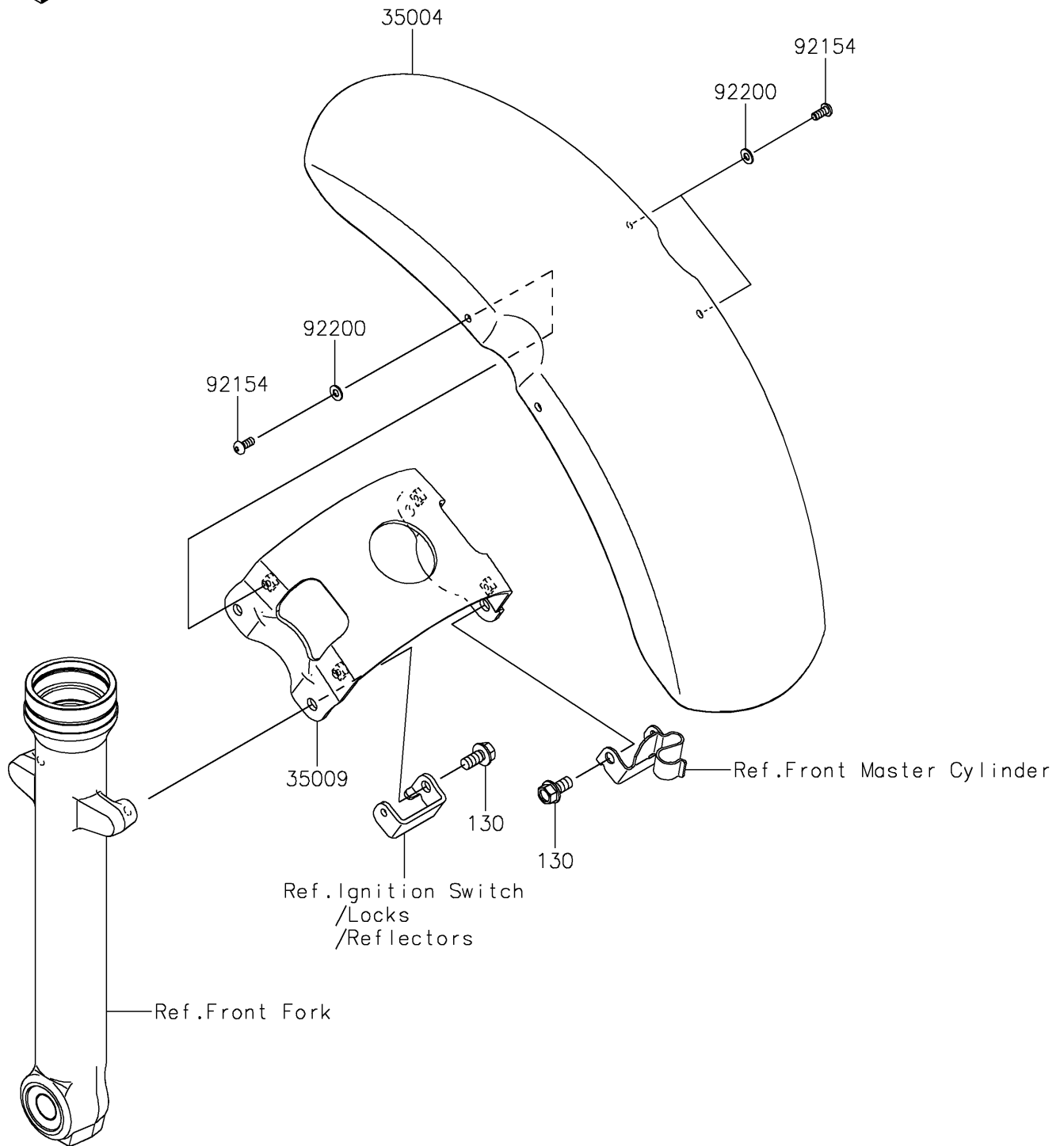


# 2026 VULCAN® S

## PARTS DIAGRAM

### Front Fender(s)

F2171



# 2026 VULCAN® S

## PARTS LIST

Front Fender(s)

**ITEM NAME**

**PART NUMBER**

**QUANTITY**

---