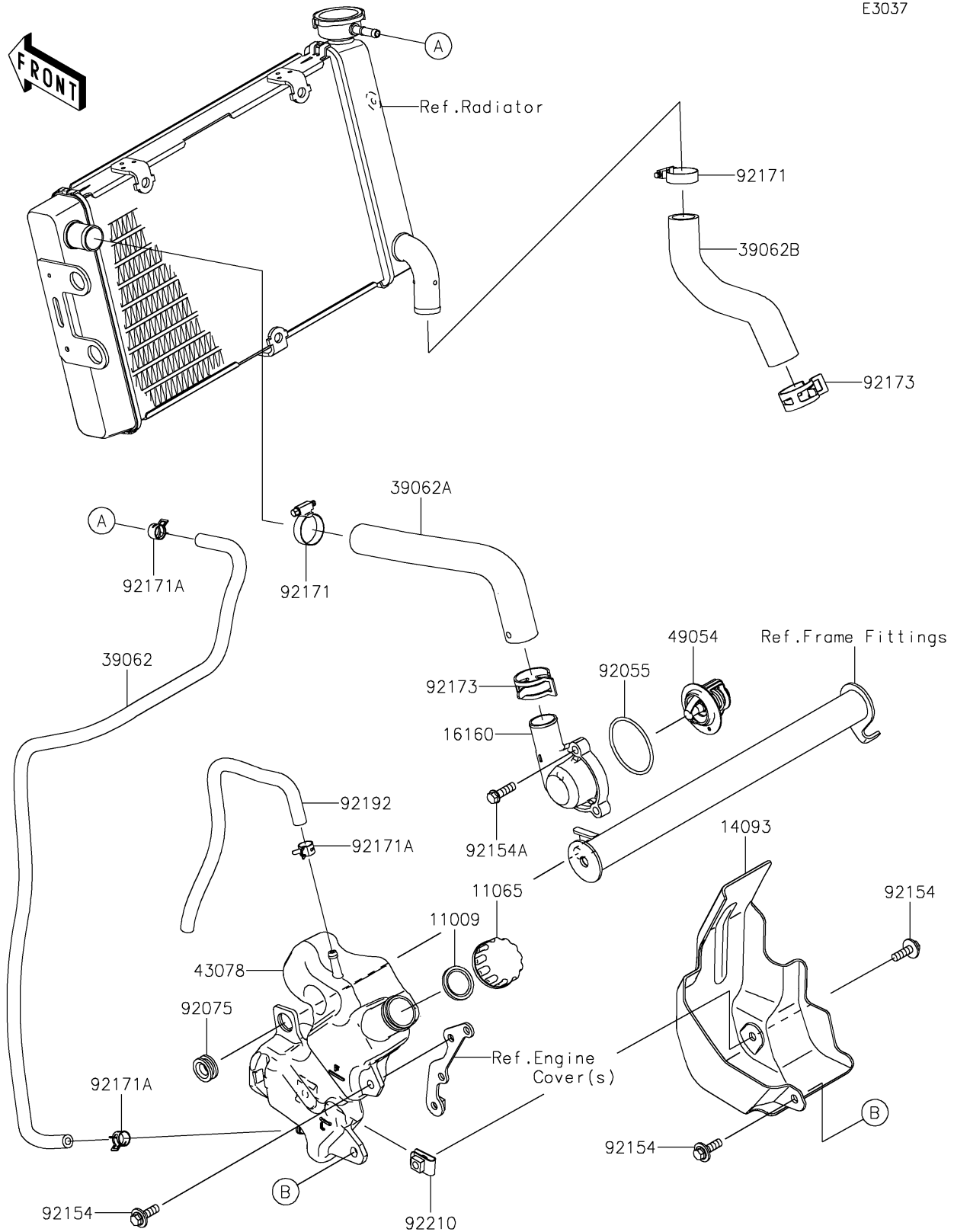


# 2026 VULCAN® S

## PARTS DIAGRAM

### Water Pipe

E3037



# 2026 VULCAN® S

## PARTS LIST

### Water Pipe

**ITEM NAME**

**PART NUMBER**

**QUANTITY**

---