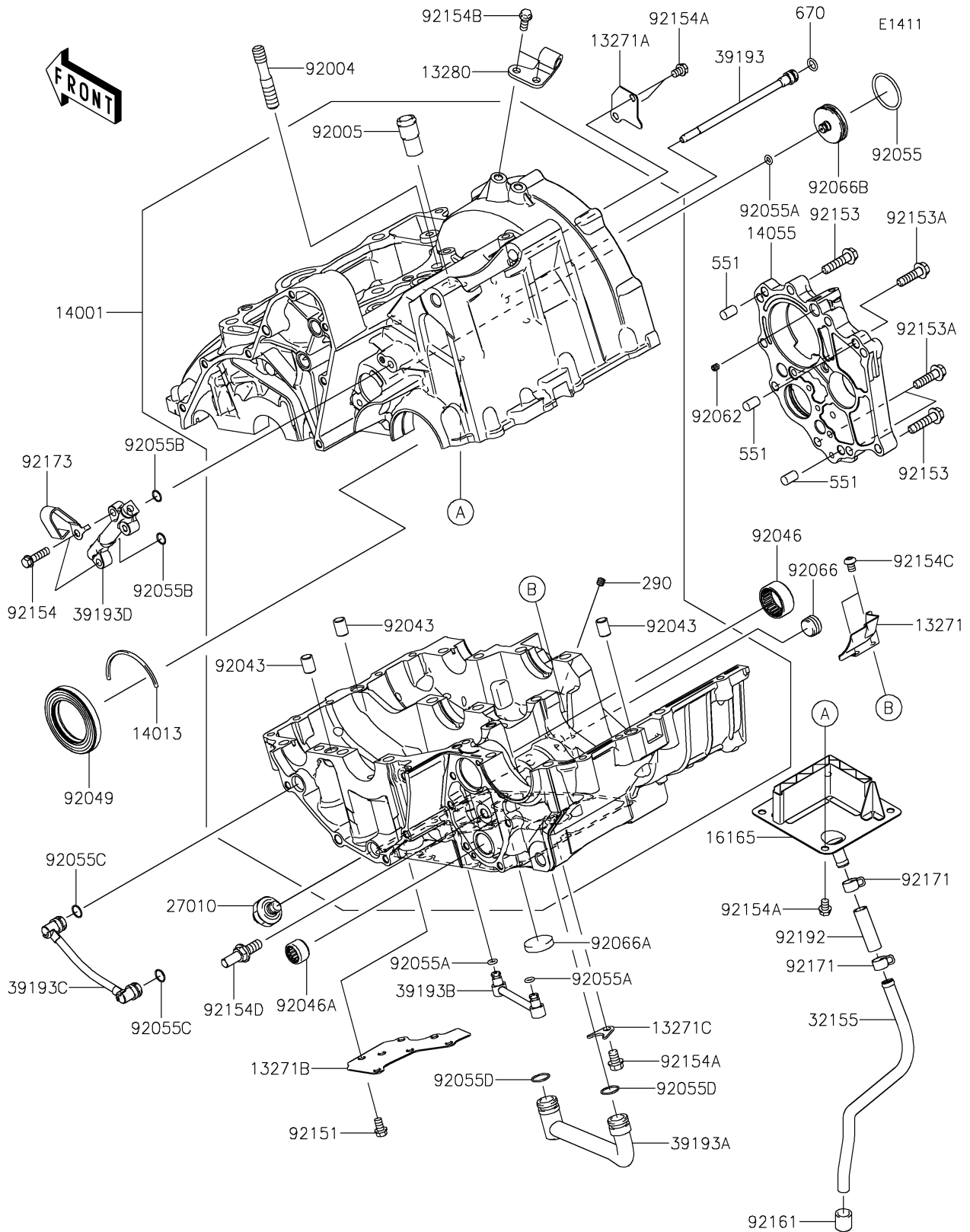


2026 VULCAN® S

PARTS DIAGRAM

Crankcase



2026 VULCAN® S

PARTS LIST

Crankcase

| ITEM NAME | PART NUMBER | QUANTITY |
|--|-------------|----------|
| PLATE,OIL SHIELDING (Ref # 13271) | 13271-0575 | 1 |
| PLATE (Ref # 13271A) | 13271-0577 | 1 |
| PLATE (Ref # 13271B) | 13271-0584 | 1 |
| PLATE,OIL PIPE (Ref # 13271C) | 13271-1187 | 1 |
| HOLDER,CLUTCH CABLE (Ref # 13280) | 13280-0224 | 1 |
| SET-CRANKCASE (Ref # 14001) | 14001-0715 | 1 |
| RING-POSITION,T=1.98 (Ref # 14013) | 14013-1004 | 1 |
| CASE-GEAR,TRANSMISSION (Ref # 14055) | 14055-0051 | 1 |
| SEPARATOR,BREATHER (Ref # 16165) | 16165-0056 | 1 |
| SWITCH,OIL PRESSURE (Ref # 27010) | 27010-1313 | 1 |
| PIPE,BREATHER (Ref # 32155) | 32155-0891 | 1 |
| PIPE-OIL (Ref # 39193) | 39193-0564 | 1 |
| PIPE-OIL (Ref # 39193A) | 39193-0565 | 1 |
| PIPE-OIL (Ref # 39193B) | 39193-0566 | 1 |
| PIPE-OIL (Ref # 39193C) | 39193-0567 | 1 |
| PIPE-OIL (Ref # 39193D) | 39193-0569 | 1 |
| STUD,10X34.5 (Ref # 92004) | 92004-0024 | 1 |
| FITTING,BREATHER (Ref # 92005) | 92005-0713 | 1 |
| PIN,DOWEL,10X14 (Ref # 92043) | 92043-1037 | 3 |
| BEARING-NEEDLE,24BTM3013 (Ref # 92046) | 92046-0017 | 1 |
| BEARING-NEEDLE,HK1312 (Ref # 92046A) | 92046-1148 | 1 |
| SEAL-OIL,HTC40628 (Ref # 92049) | 92049-1501 | 1 |
| RING-O,29.7X2.4 (Ref # 92055) | 92055-0006 | 1 |
| RING-O,4.8MM (Ref # 92055A) | 92055-0845 | 3 |
| RING-O,8.8MM (Ref # 92055B) | 92055-0846 | 2 |
| RING-O,9.8MM (Ref # 92055C) | 92055-0847 | 2 |
| RING-O,13.8MM (Ref # 92055D) | 92055-0848 | 2 |
| NOZZLE,5X6,SILVER (Ref # 92062) | 92062-1086 | 1 |
| PLUG,PT3/8X10 (Ref # 92066) | 92066-0003 | 1 |

2026 VULCAN® S

PARTS LIST

Crankcase

| ITEM NAME | PART NUMBER | QUANTITY |
|---------------------------------------|-------------|----------|
| PLUG,25X5 (Ref # 92066A) | 92066-0061 | 1 |
| PLUG,INPUT SHAFT (Ref # 92066B) | 92066-0715 | 1 |
| BOLT,FLANGED-SMALL,6X10 (Ref # 92151) | 92151-1389 | 6 |
| BOLT,FLANGED,6X30 (Ref # 92153) | 92153-0962 | 6 |
| BOLT,FLANGED,7X26 (Ref # 92153A) | 92153-0963 | 3 |
| BOLT,FLANGED,6X22 (Ref # 92154) | 92154-0504 | 2 |
| BOLT,FLANGED,6X8 (Ref # 92154A) | 92154-0726 | 7 |
| BOLT,FLANGED,6X14 (Ref # 92154B) | 92154-0813 | 2 |
| BOLT,SOCKET,6X8 (Ref # 92154C) | 92154-1506 | 2 |
| BOLT,8X20 (Ref # 92154D) | 92154-4341 | 1 |
| DAMPER (Ref # 92161) | 92161-0267 | 1 |
| CLAMP (Ref # 92171) | 92171-1053 | 2 |
| CLAMP (Ref # 92173) | 92173-0059 | 1 |
| TUBE,9X12X38 (Ref # 92192) | 92192-0225 | 1 |
| SCREW-SET-SOCKET,6X6 (Ref # 290) | 290Q0606 | 1 |
| PIN-DOWEL,8X14 (Ref # 551) | 551A0814 | 3 |
| O RING,8MM (Ref # 670) | 670D1508 | 1 |