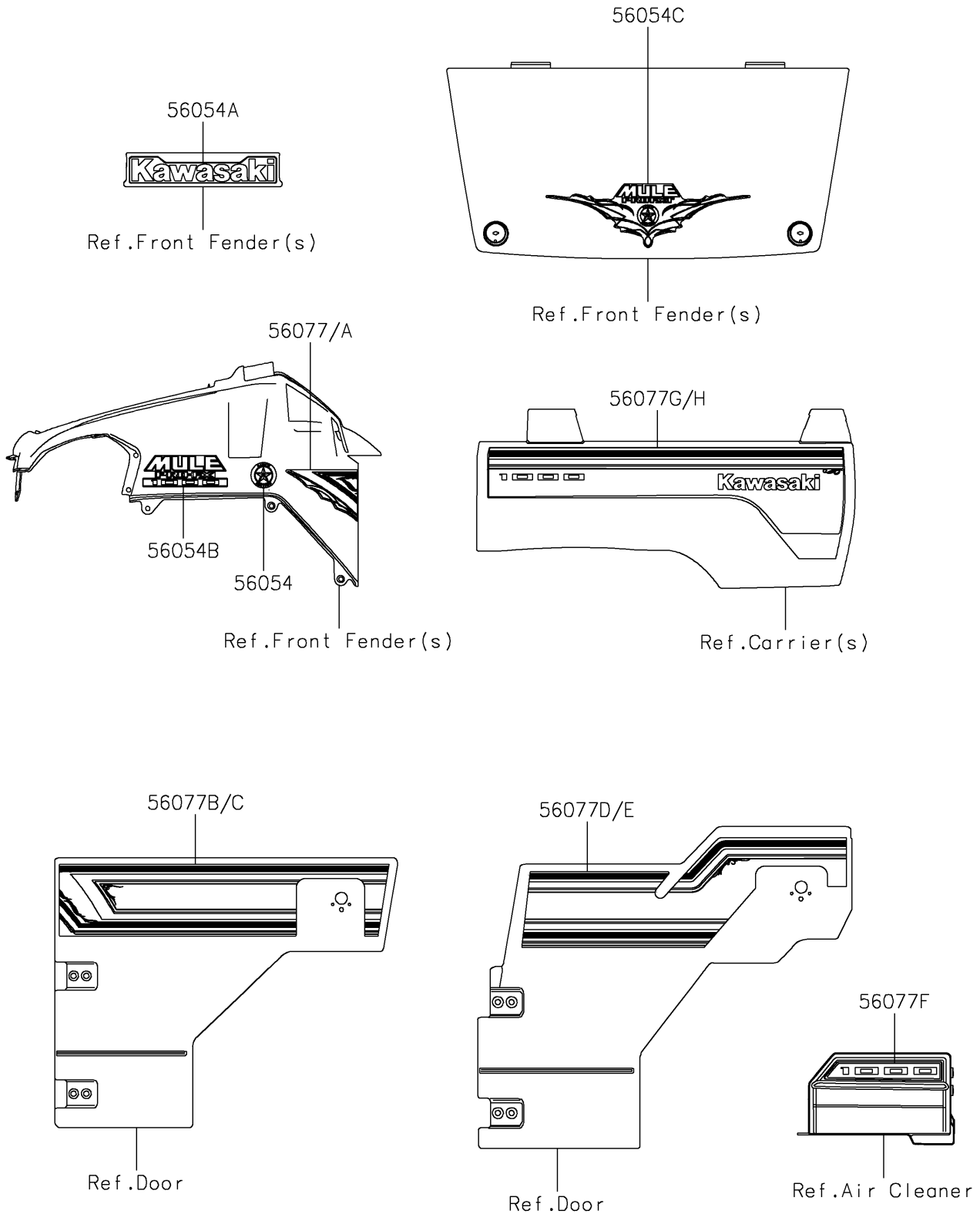


# 2025 MULE PRO-FXT 1000 LE Ranch Edition

## PARTS DIAGRAM

### Decals(CSSNN/CSSNL)

F2861A



# 2025 MULE PRO-FXT 1000 LE Ranch Edition



## PARTS LIST

Decals(CSSNN/CSSNL)

**ITEM NAME**

**PART NUMBER**

**QUANTITY**

---