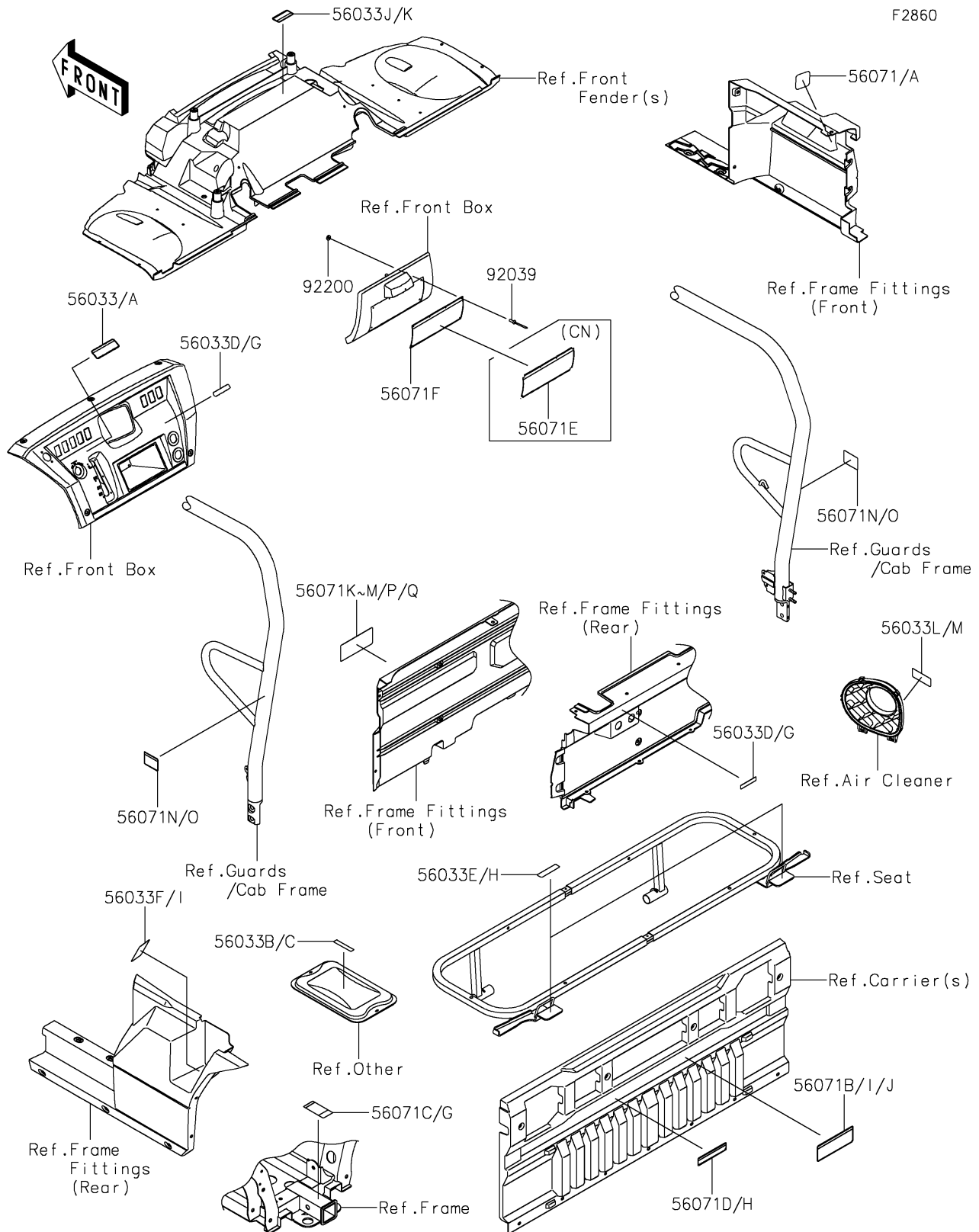


# 2026 MULE PRO-FXT 1000 LE Ranch Edition

## PARTS DIAGRAM

### Labels



# 2026 MULE PRO-FXT 1000 LE Ranch Edition



## PARTS LIST

### Labels

ITEM NAME	PART NUMBER	QUANTITY
-----------	-------------	----------

---