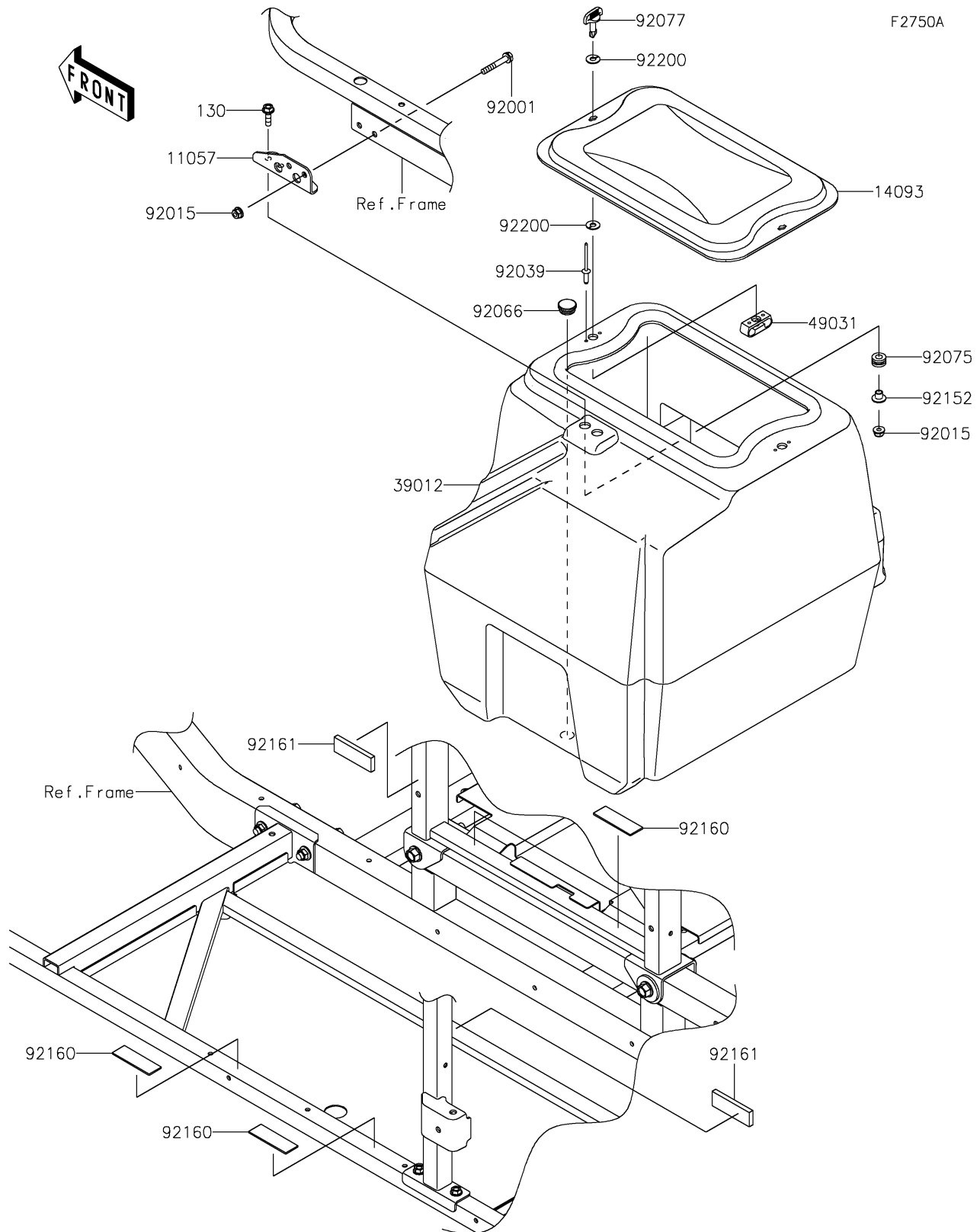


2026 MULE PRO-FXT™ 1000 LE RANCH EDITION

PARTS DIAGRAM

Other(Storage Case)(CTFNN/CTFNL)



2026 MULE PRO-FXT™ 1000 LE RANCH EDITION

Kawasaki
Let the Good Times Roll®

PARTS LIST

Other(Storage Case)(CTFNN/CTFNL)

| ITEM NAME | PART NUMBER | QUANTITY |
|------------------------------------|-------------|----------|
| BRACKET,TUB MOUNT (Ref # 11057) | 11057-1503 | 1 |
| COVER,STORAGE BOX (Ref # 14093) | 14093-0523 | 1 |
| CASE-STORAGE (Ref # 39012) | 39012-0046 | 1 |
| LATCH (Ref # 49031) | 49031-0008 | 2 |
| BOLT,FLANGED,6X38 (Ref # 92001) | 92001-1105 | 2 |
| NUT,LOCK,FLANGED,6MM (Ref # 92015) | 92015-1603 | 4 |
| RIVET,3.2X9.5 (Ref # 92039) | 92039-0785 | 4 |
| PLUG (Ref # 92066) | 92066-1306 | 1 |
| DAMPER (Ref # 92075) | 92075-1912 | 2 |
| KNOB (Ref # 92077) | 92077-0030 | 2 |
| COLLAR,6.3X8.3X9.2 (Ref # 92152) | 92152-0237 | 2 |
| DAMPER (Ref # 92160) | 92160-1075 | 4 |
| DAMPER,20X60X6 (Ref # 92161) | 92161-1874 | 2 |
| WASHER (Ref # 92200) | 92200-0503 | 4 |
| BOLT-FLANGED,6X20 (Ref # 130) | 130BA0620 | 2 |