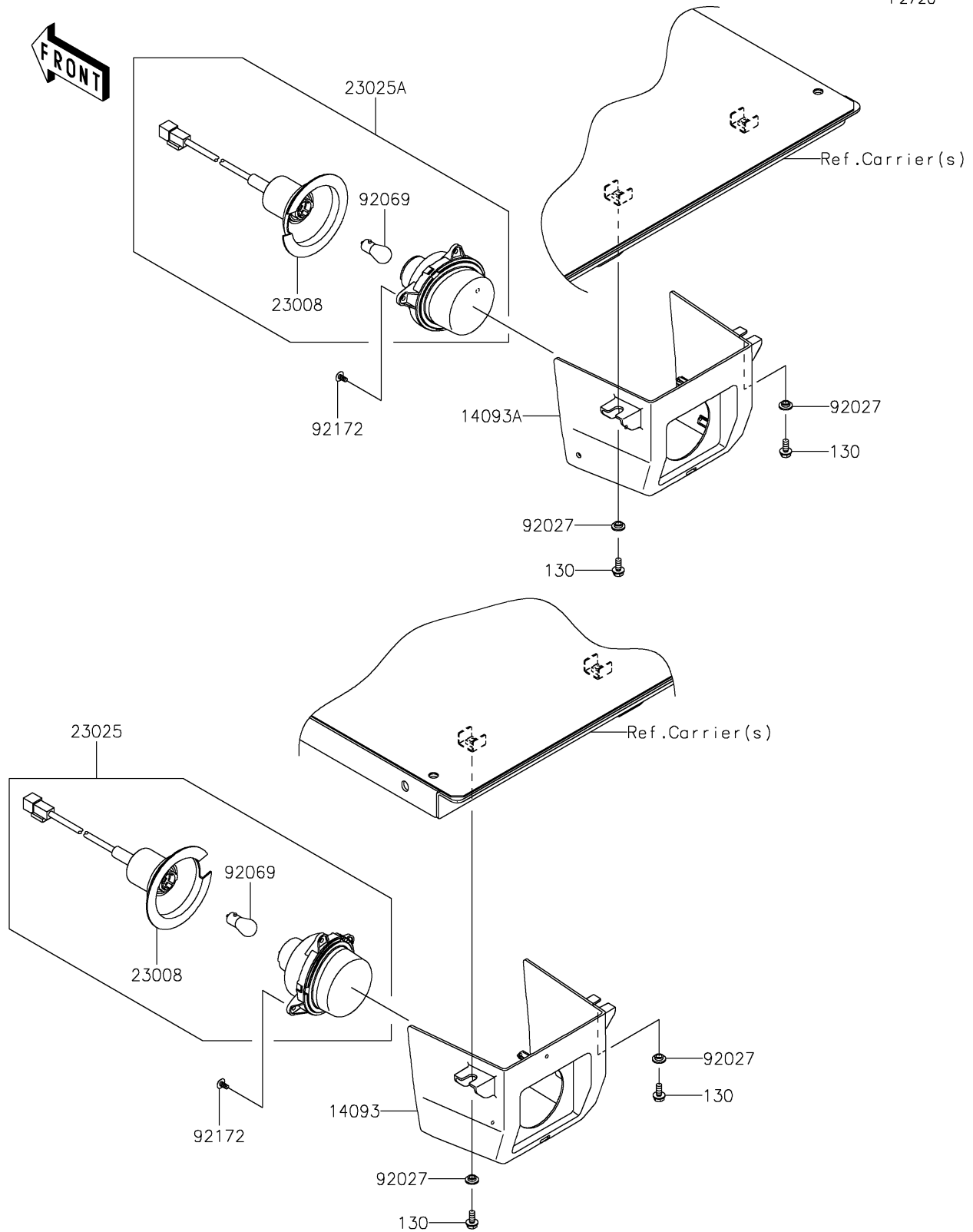


# 2025 MULE PRO-FXT 1000 LE Ranch Edition

## PARTS DIAGRAM

### Taillight(s)

F2720



# 2025 MULE PRO-FXT 1000 LE Ranch Edition



## PARTS LIST

Taillight(s)

**ITEM NAME**

**PART NUMBER**

**QUANTITY**

---