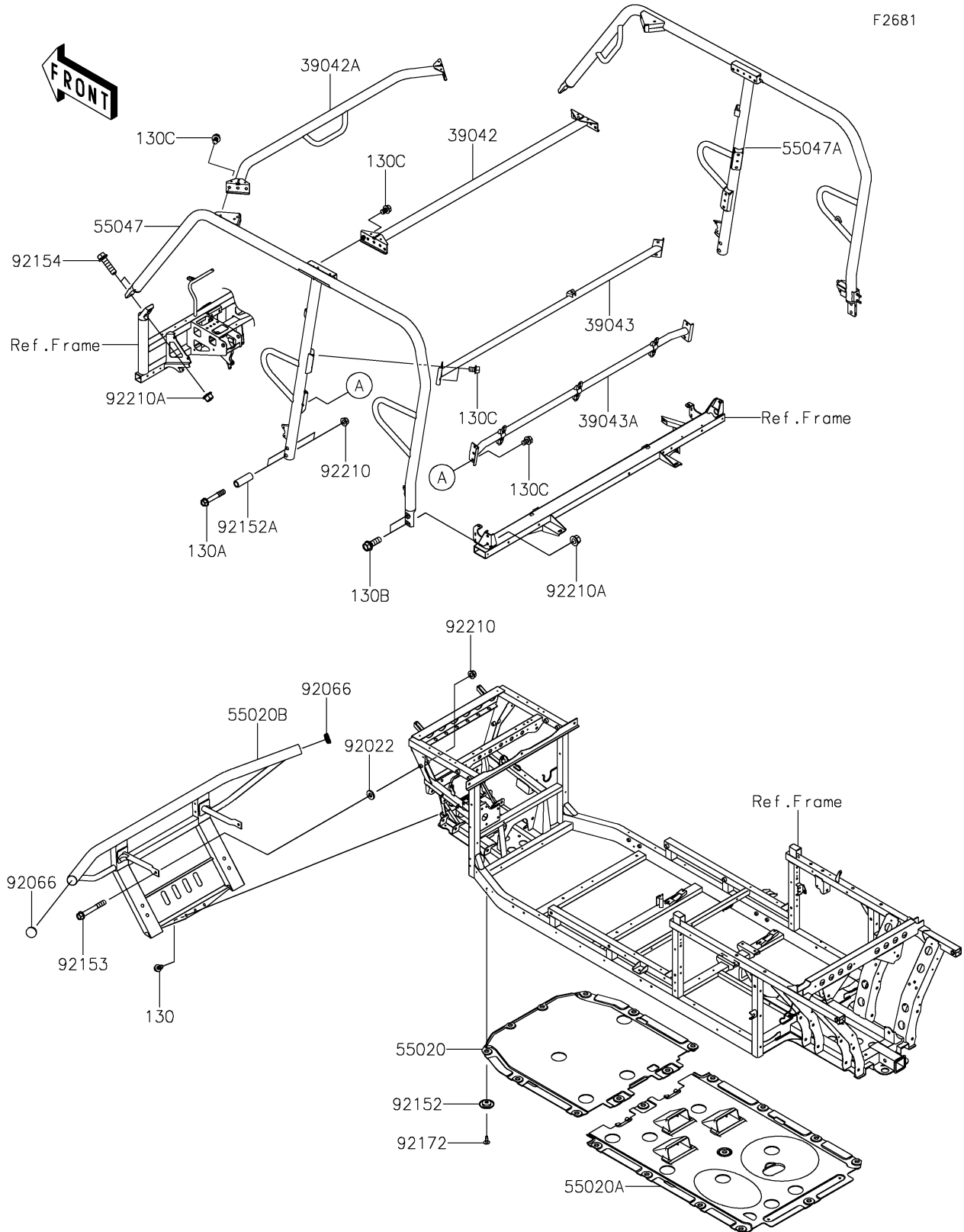


2024 MULE PRO-FXT™ 1000 LE RANCH EDITION

PARTS DIAGRAM Guards/Cab Frame



2024 MULE PRO-FXT™ 1000 LE RANCH EDITION



PARTS LIST

Guards/Cab Frame

ITEM NAME	PART NUMBER	QUANTITY
-----------	-------------	----------
