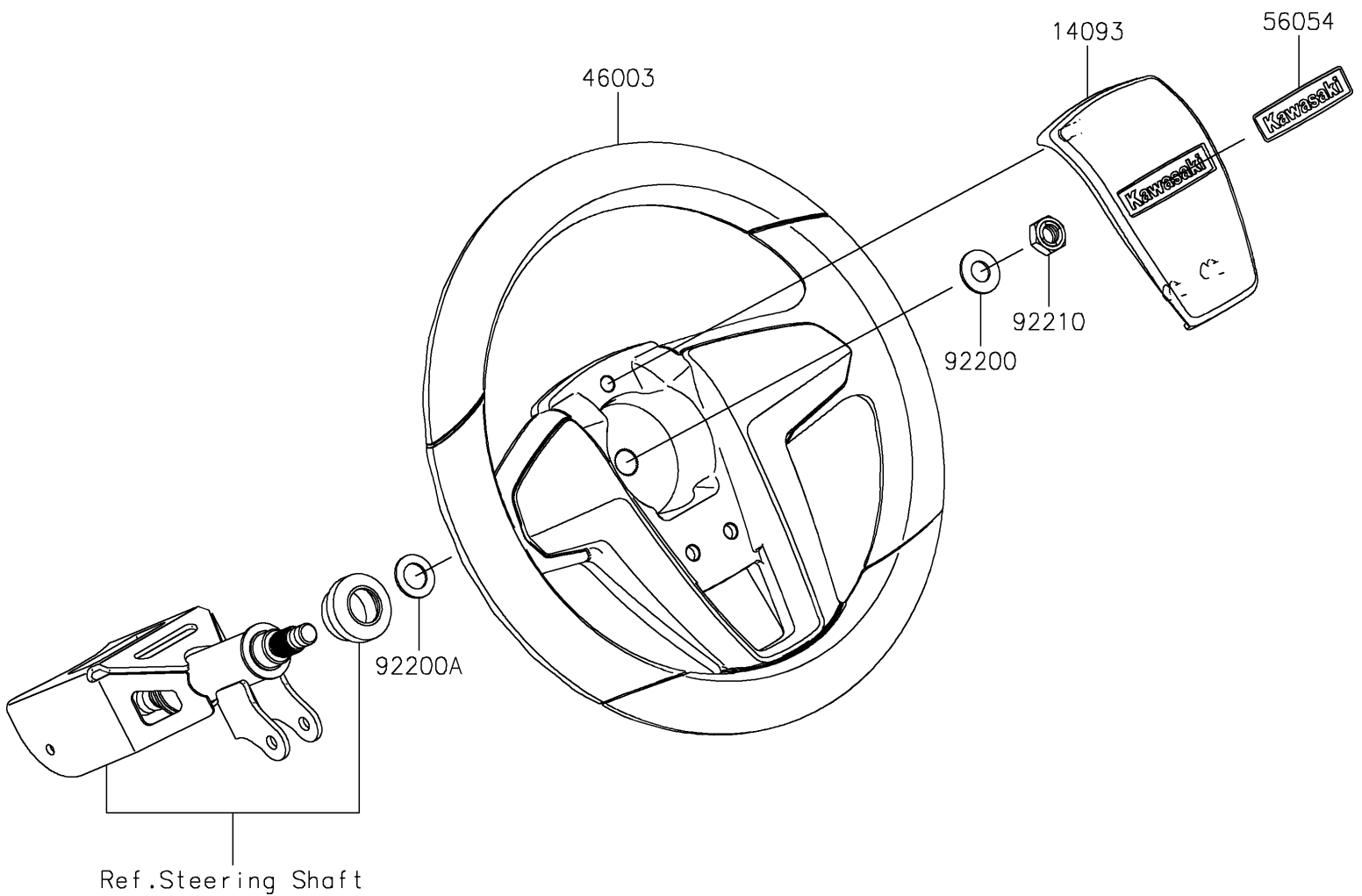


2026 MULE PRO-FXT™ 1000 LE RANCH EDITION

PARTS DIAGRAM

Steering Wheel

F2311



2026 MULE PRO-FXT™ 1000 LE RANCH EDITION



PARTS LIST

Steering Wheel

ITEM NAME	PART NUMBER	QUANTITY
-----------	-------------	----------
