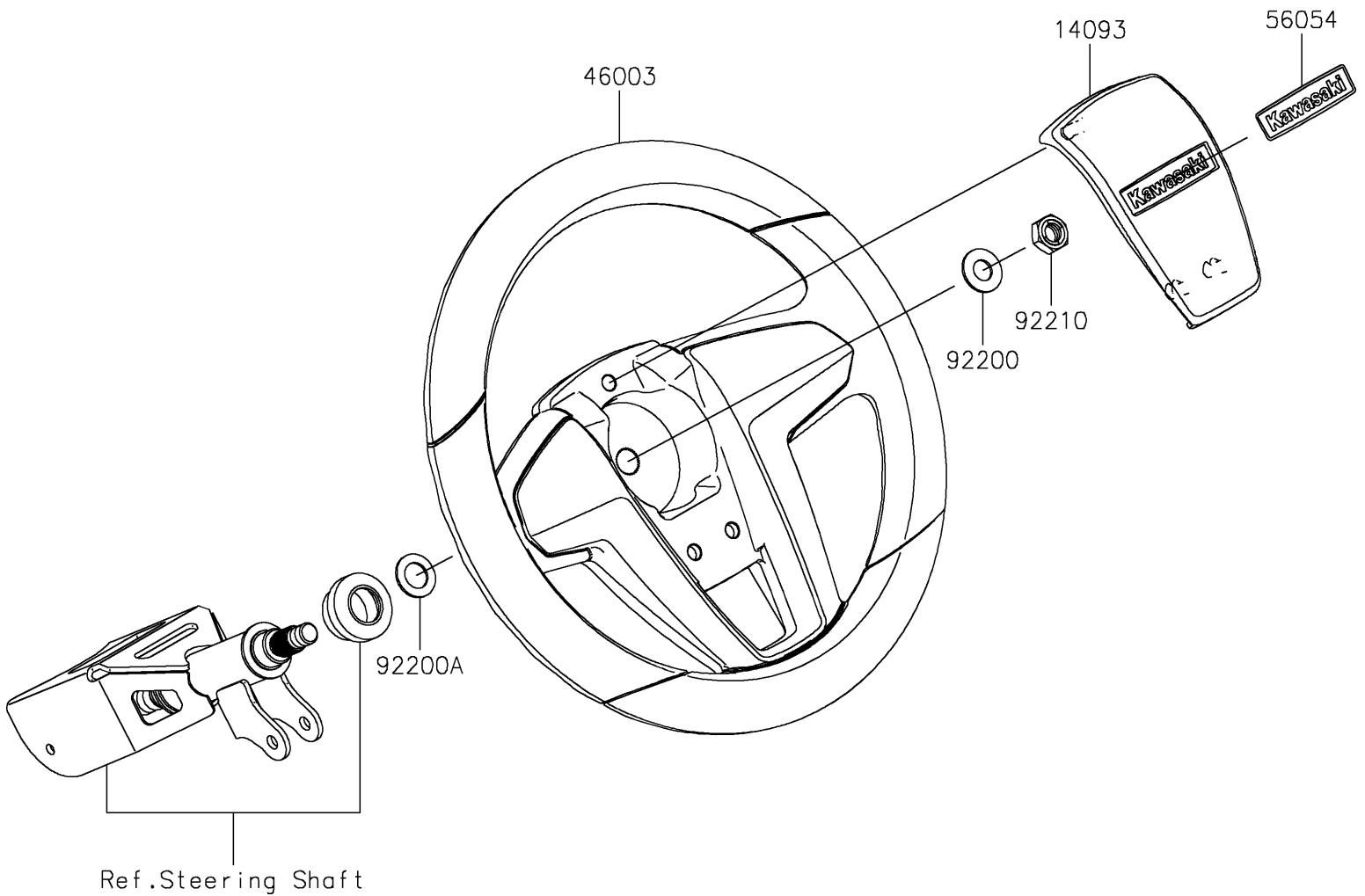


# 2026 MULE PRO-FXT 1000 LE Ranch Edition

## PARTS DIAGRAM

### Steering Wheel

F2311



# 2026 MULE PRO-FXT 1000 LE Ranch Edition



## PARTS LIST

### Steering Wheel

ITEM NAME	PART NUMBER	QUANTITY
-----------	-------------	----------

---