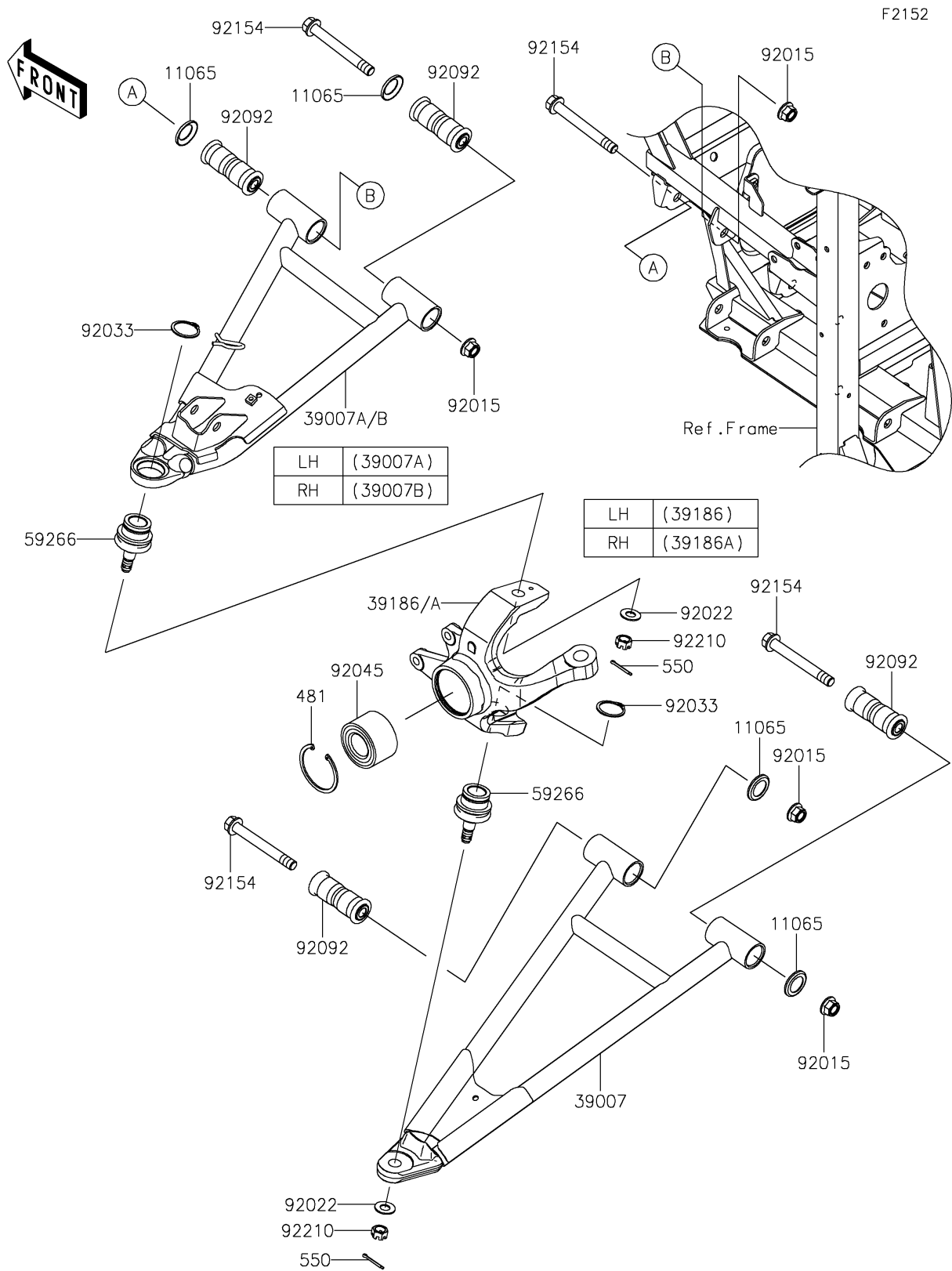


2026 MULE PRO-FXT 1000 LE Ranch Edition

PARTS DIAGRAM Front Suspension



2026 MULE PRO-FXT 1000 LE Ranch Edition



PARTS LIST

Front Suspension

ITEM NAME	PART NUMBER	QUANTITY
-----------	-------------	----------
