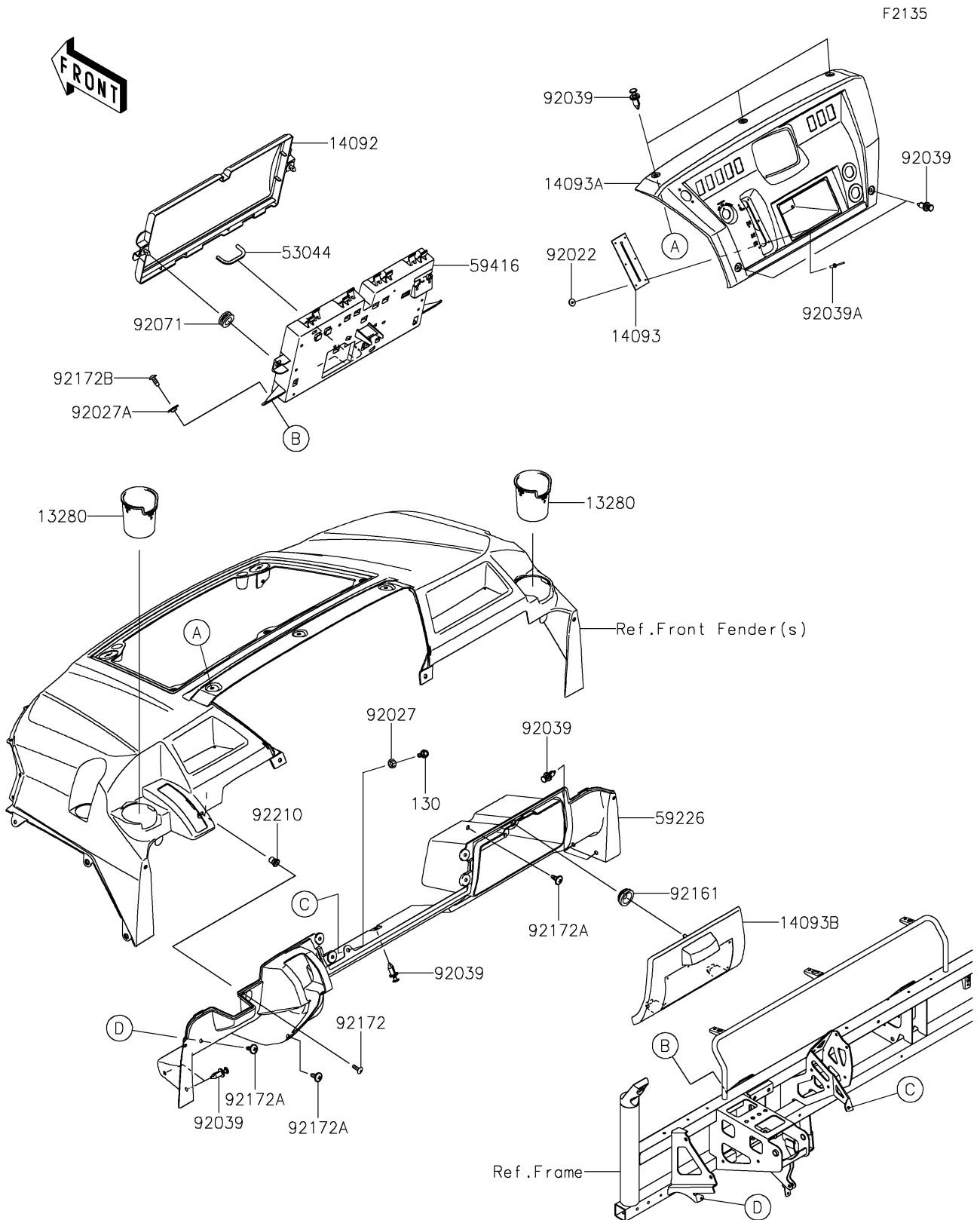


# 2026 MULE PRO-FXT™ 1000 LE RANCH EDITION

## PARTS DIAGRAM

### Front Box



# 2026 MULE PRO-FXT™ 1000 LE RANCH EDITION



## PARTS LIST

### Front Box

ITEM NAME	PART NUMBER	QUANTITY
-----------	-------------	----------

---