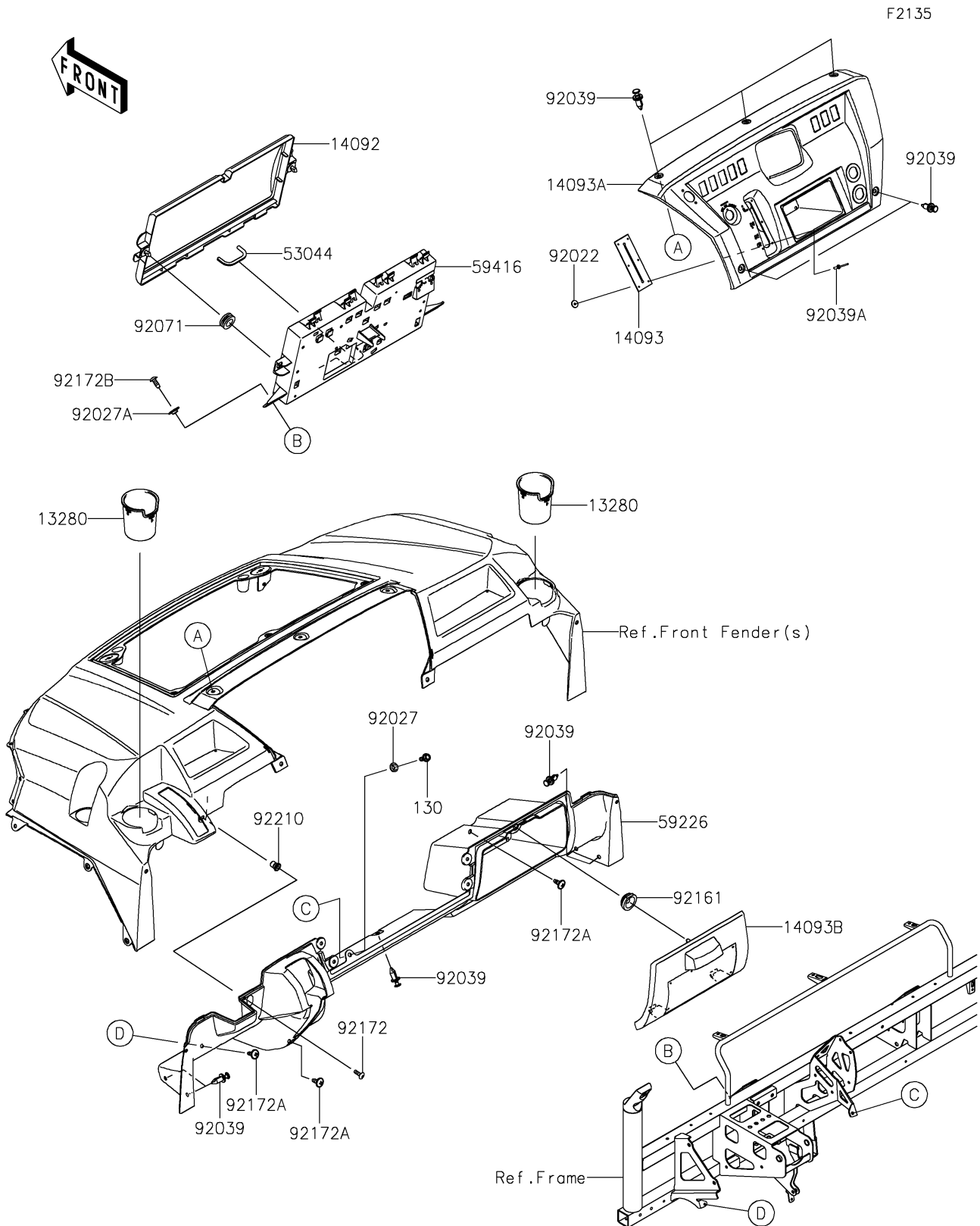


2024 MULE PRO-FXT™ 1000 LE RANCH EDITION

PARTS DIAGRAM

Front Box



2024 MULE PRO-FXT™ 1000 LE RANCH EDITION



PARTS LIST

Front Box

ITEM NAME	PART NUMBER	QUANTITY
-----------	-------------	----------
