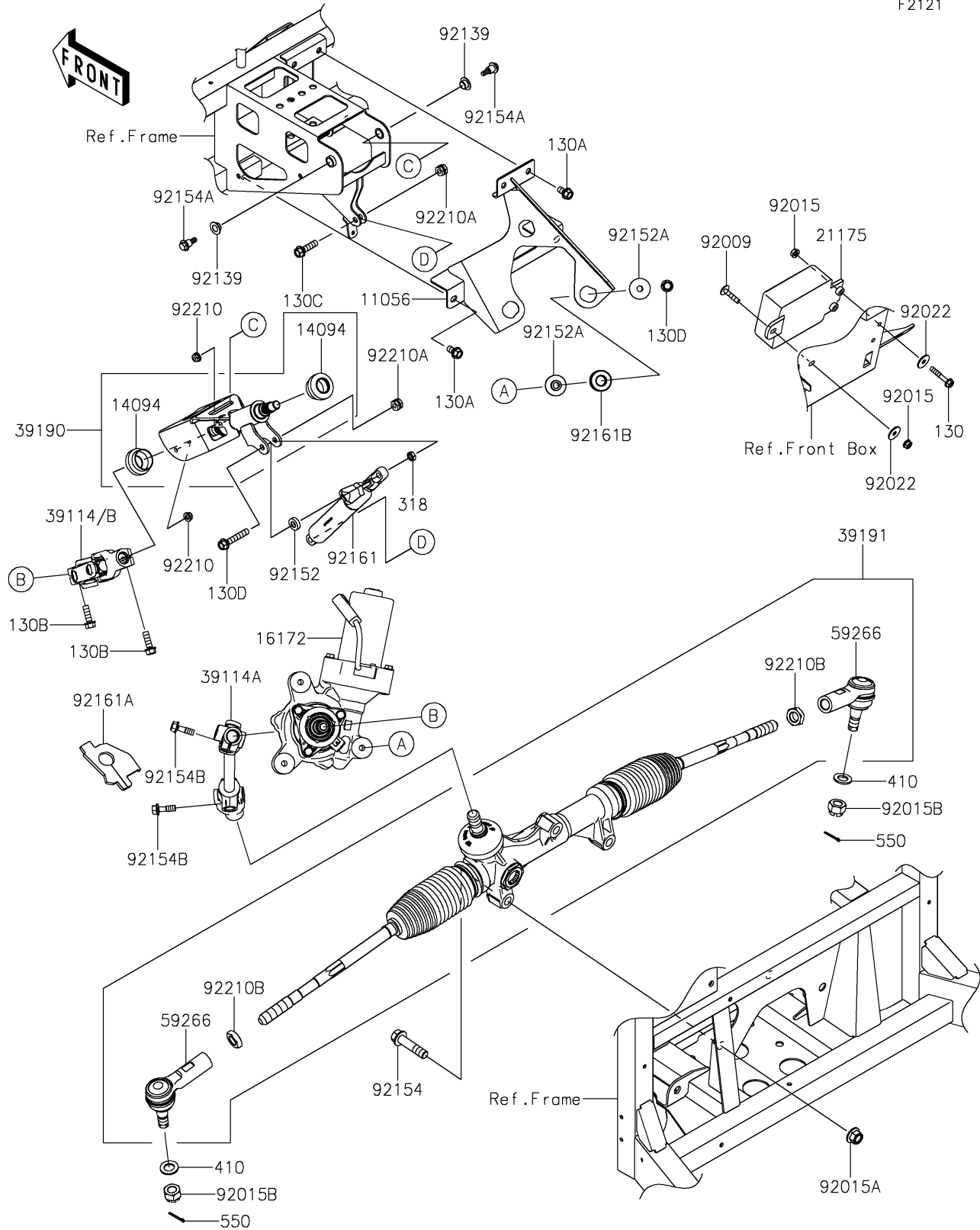


2025 MULE PRO-FXT 1000 LE Ranch Edition

PARTS DIAGRAM

Steering Shaft

F2121



2025 MULE PRO-FXT 1000 LE Ranch Edition



PARTS LIST

Steering Shaft

ITEM NAME	PART NUMBER	QUANTITY
-----------	-------------	----------
