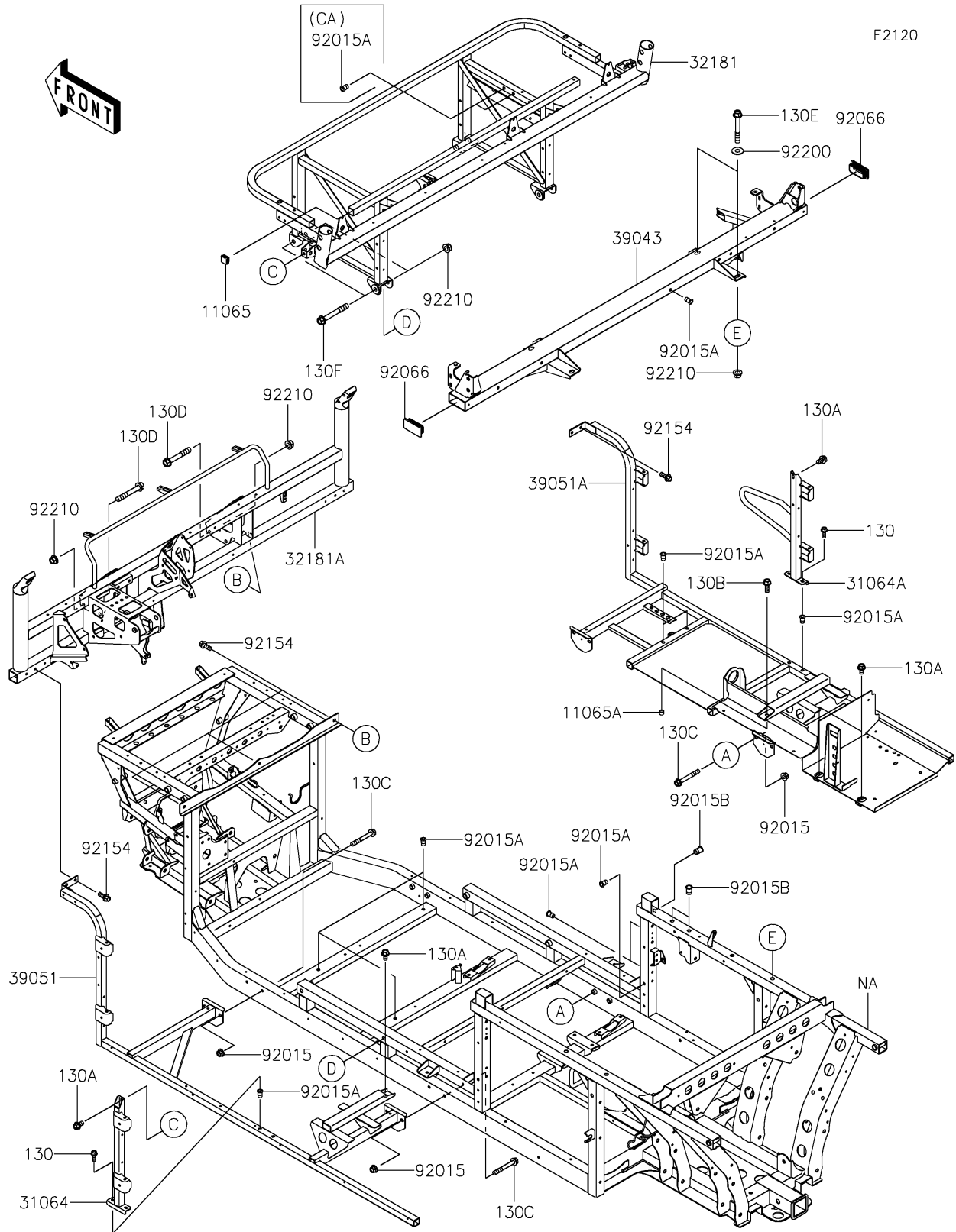


# 2024 MULE PRO-FXT™ 1000 LE RANCH EDITION

## PARTS DIAGRAM Frame(CRFNN-CSSNL)



# 2024 MULE PRO-FXT™ 1000 LE RANCH EDITION



## PARTS LIST

Frame(CRFNN-CSSNL)

**ITEM NAME**

**PART NUMBER**

**QUANTITY**

---