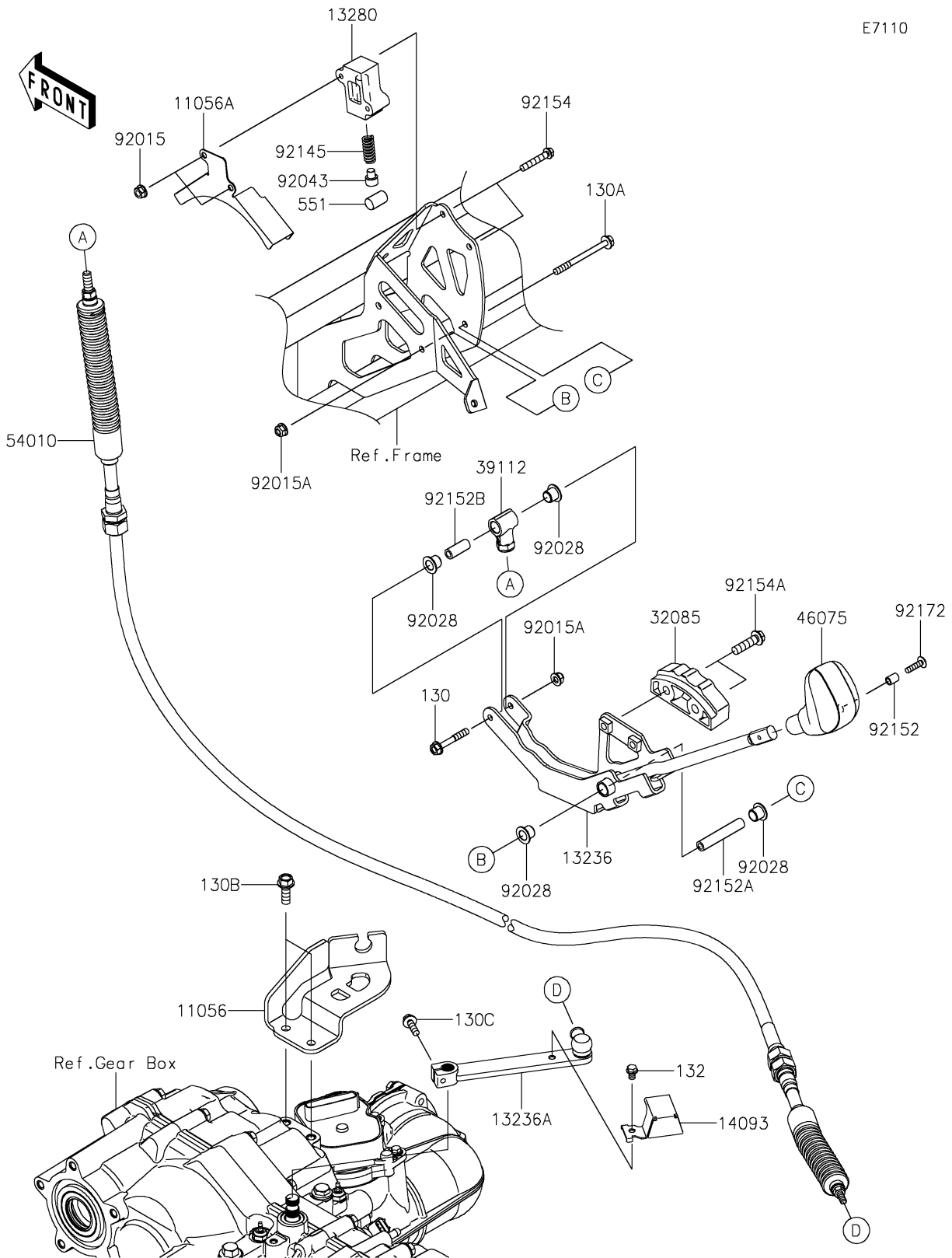


# 2024 MULE PRO-FXT™ 1000 LE RANCH EDITION

## PARTS DIAGRAM

### Control



# 2024 MULE PRO-FXT™ 1000 LE RANCH EDITION



## PARTS LIST Control

ITEM NAME	PART NUMBER	QUANTITY
-----------	-------------	----------

---