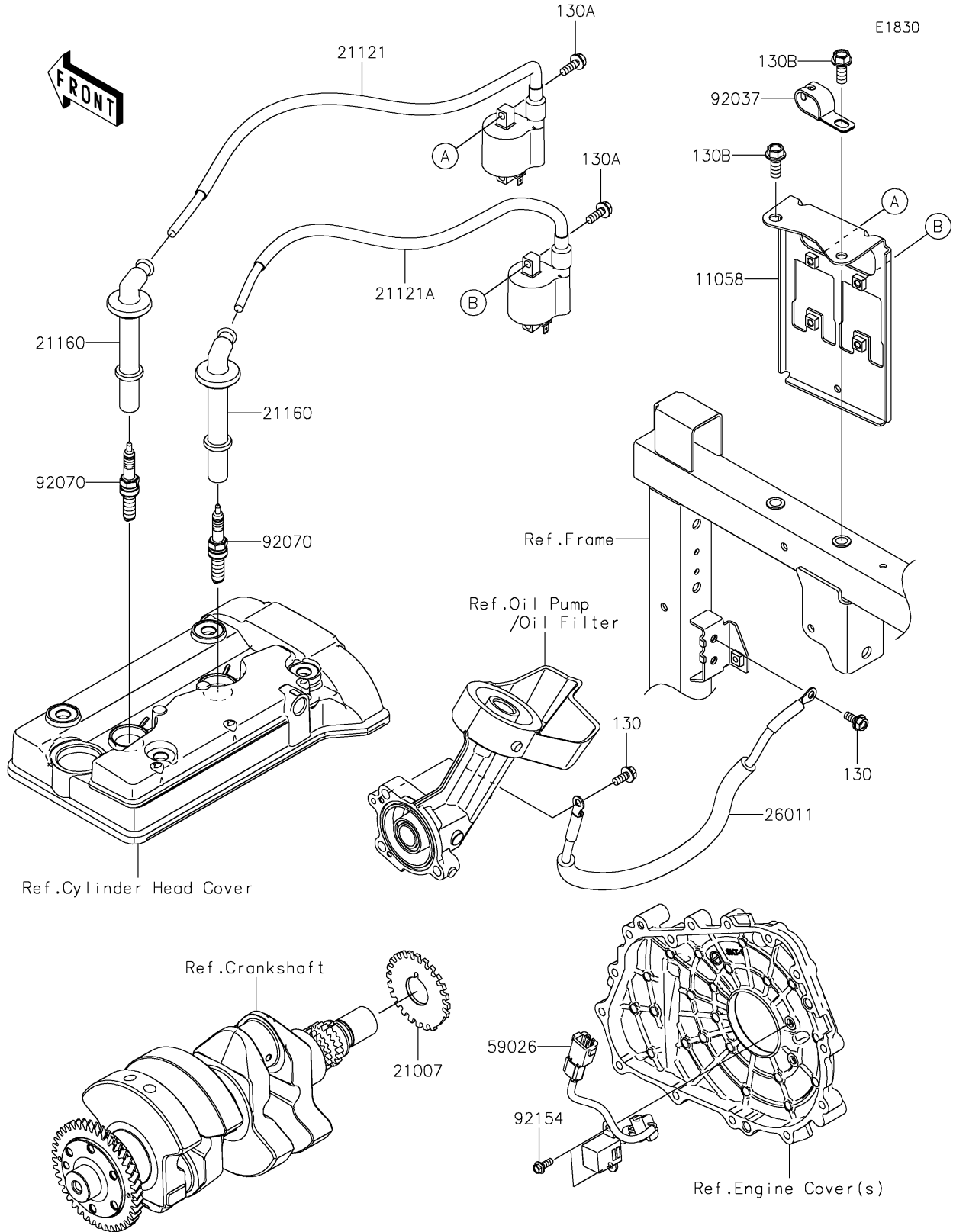


2025 MULE PRO-FXT 1000 LE Ranch Edition

PARTS DIAGRAM

Ignition System



2025 MULE PRO-FXT 1000 LE Ranch Edition



PARTS LIST

Ignition System

ITEM NAME	PART NUMBER	QUANTITY
-----------	-------------	----------
