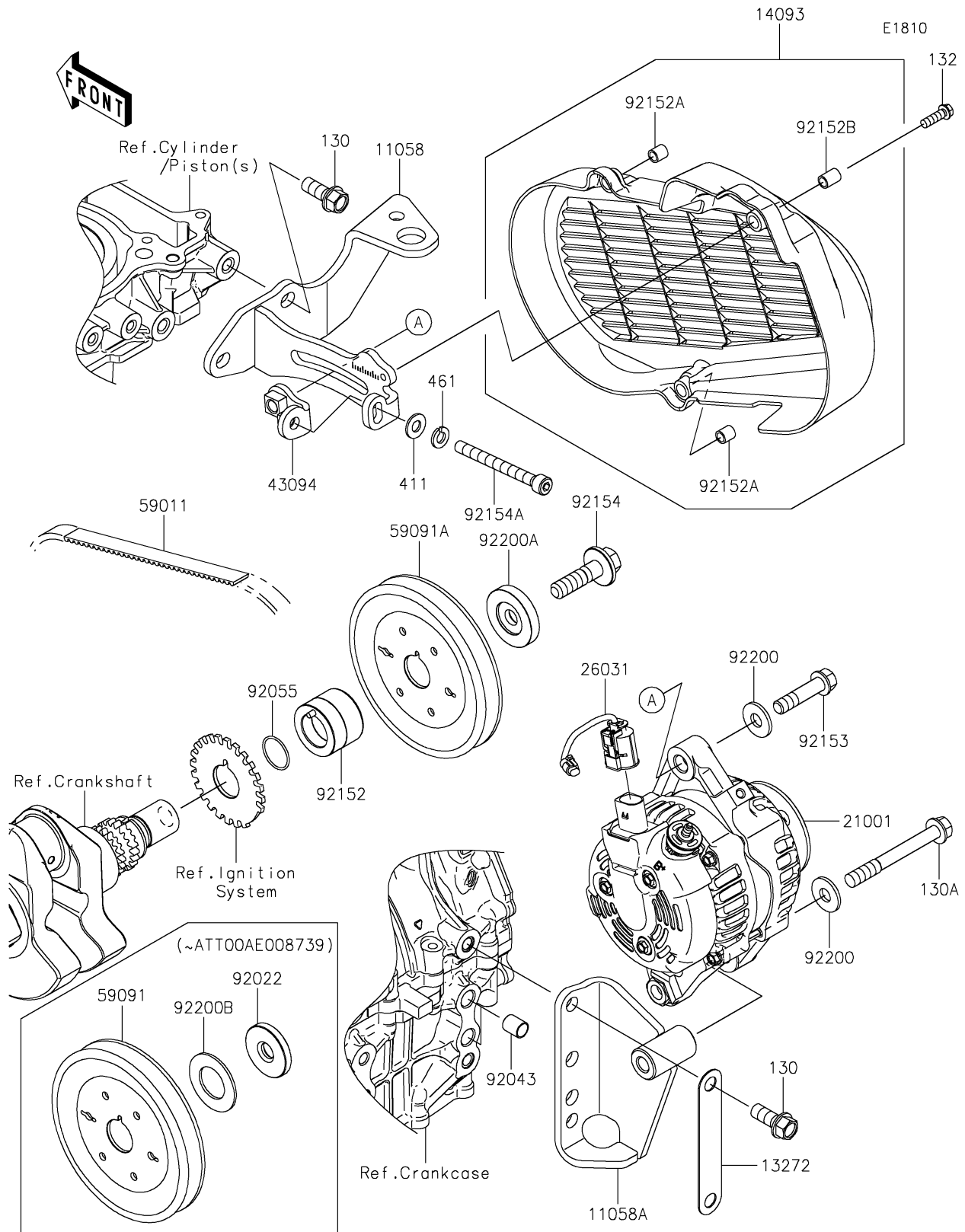


# 2024 MULE PRO-FXT™ 1000 LE RANCH EDITION

## PARTS DIAGRAM

### Generator



# 2024 MULE PRO-FXT™ 1000 LE RANCH EDITION



## PARTS LIST Generator

| ITEM NAME | PART NUMBER | QUANTITY |
|-----------|-------------|----------|
|-----------|-------------|----------|

---