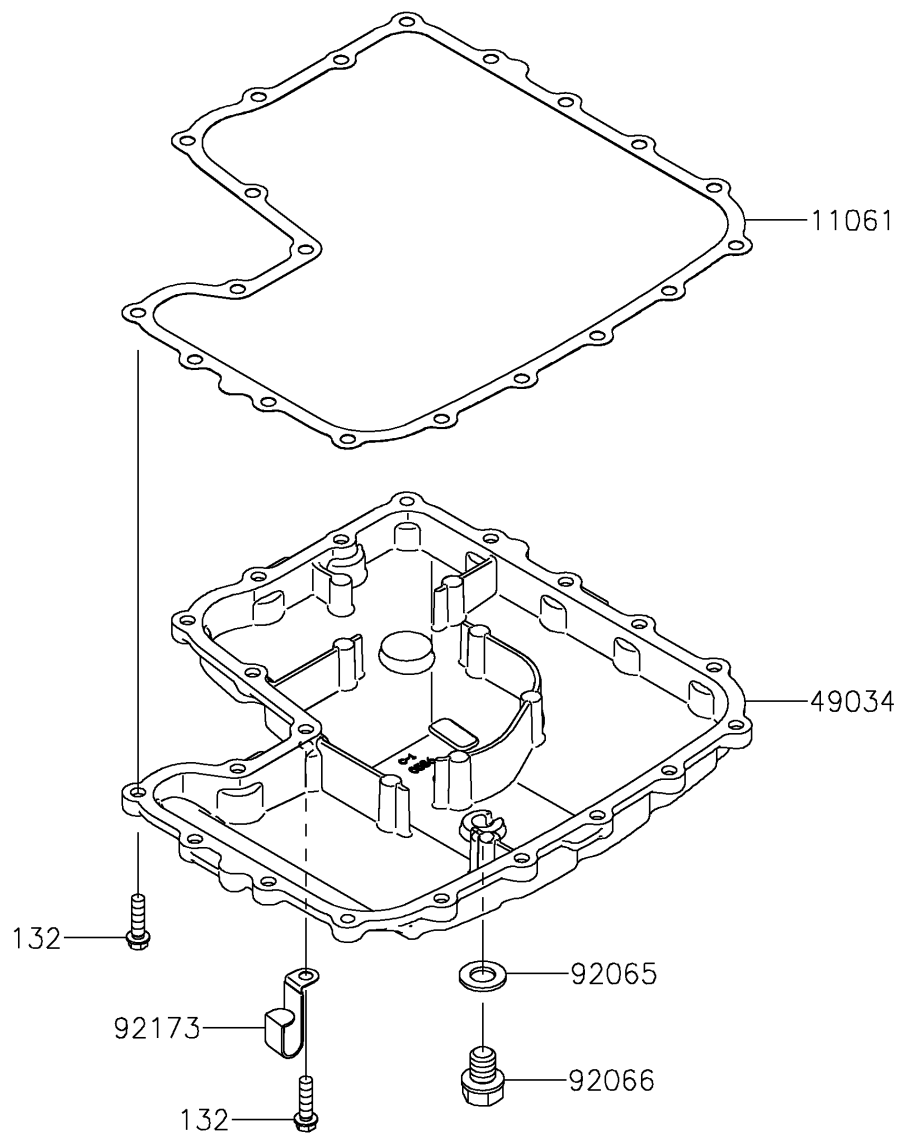


2025 MULE PRO-FXT 1000 LE Ranch Edition

PARTS DIAGRAM

Oil Pan

E1434



2025 MULE PRO-FXT 1000 LE Ranch Edition



PARTS LIST

Oil Pan

ITEM NAME	PART NUMBER	QUANTITY
-----------	-------------	----------
