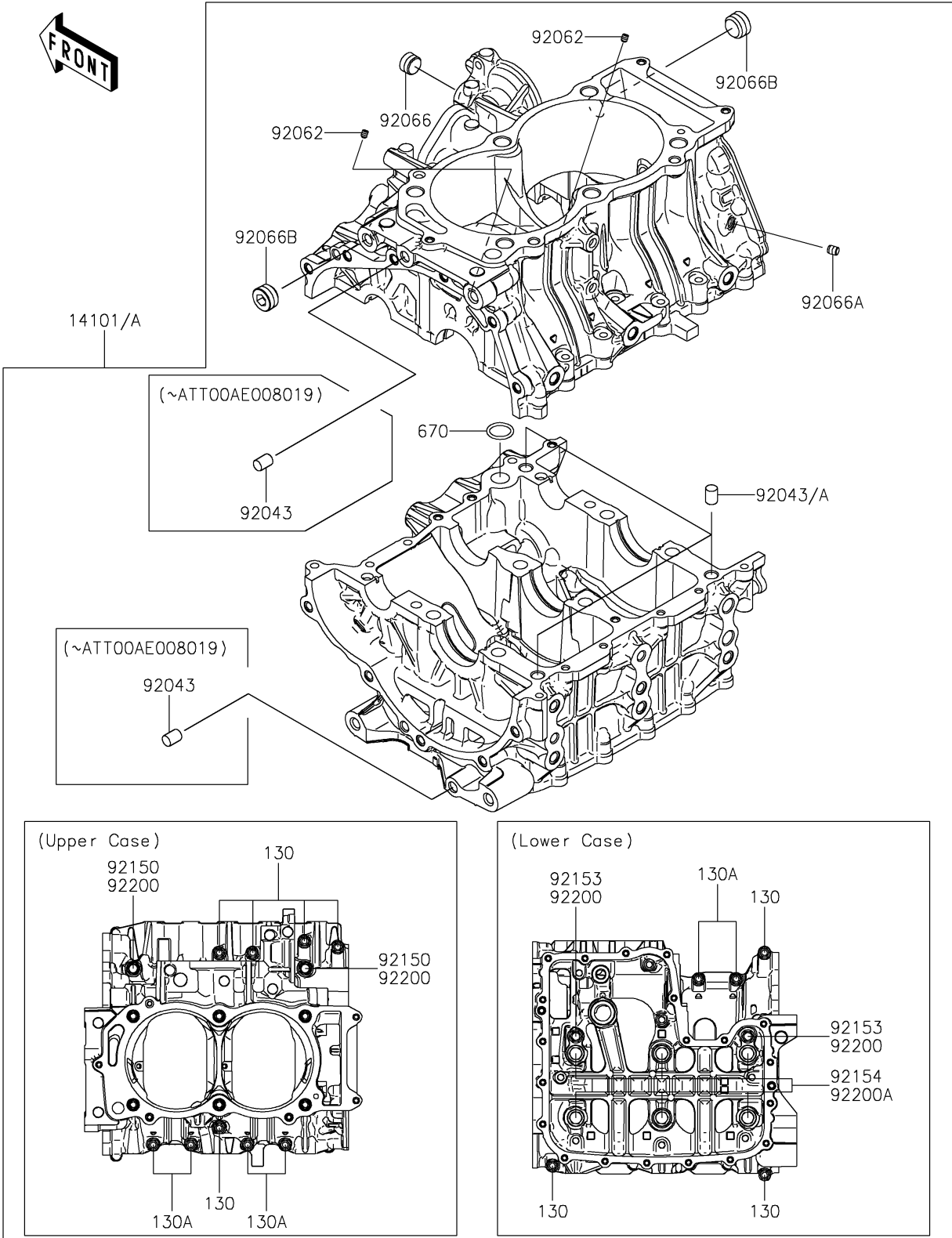


2024 MULE PRO-FXT 1000 LE Ranch Edition

PARTS DIAGRAM

Crankcase

E1411



2024 MULE PRO-FXT 1000 LE Ranch Edition



PARTS LIST

Crankcase

ITEM NAME	PART NUMBER	QUANTITY
-----------	-------------	----------
