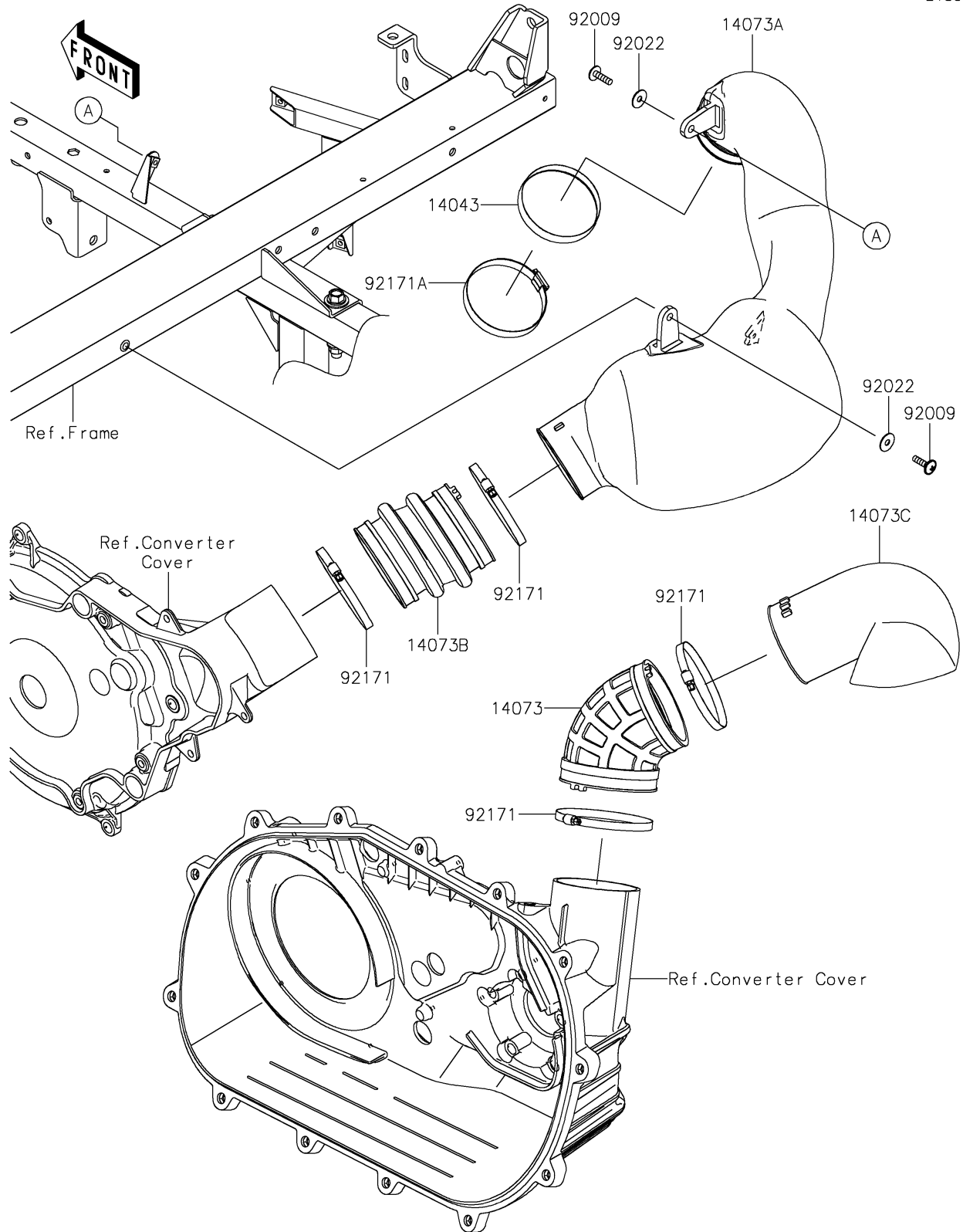


# 2025 MULE PRO-FXT 1000 LE Ranch Edition

## PARTS DIAGRAM

### Air Cleaner-Belt Converter

E1394



# 2025 MULE PRO-FXT 1000 LE Ranch Edition



## PARTS LIST

### Air Cleaner-Belt Converter

ITEM NAME	PART NUMBER	QUANTITY
-----------	-------------	----------

---