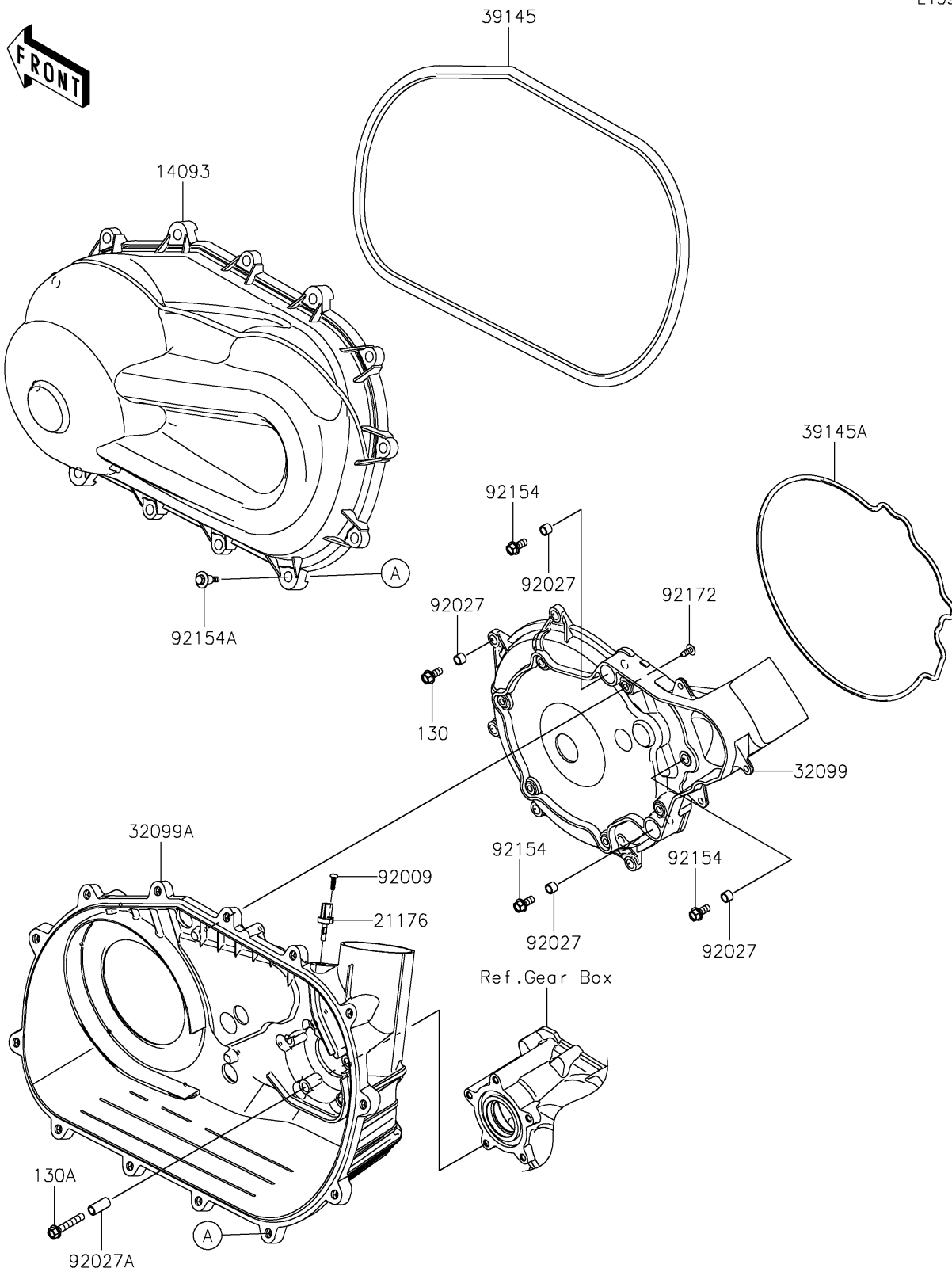


2026 MULE PRO-FXT 1000 LE Ranch Edition

PARTS DIAGRAM

Converter Cover

E1393



2026 MULE PRO-FXT 1000 LE Ranch Edition



PARTS LIST Converter Cover

ITEM NAME	PART NUMBER	QUANTITY
-----------	-------------	----------
