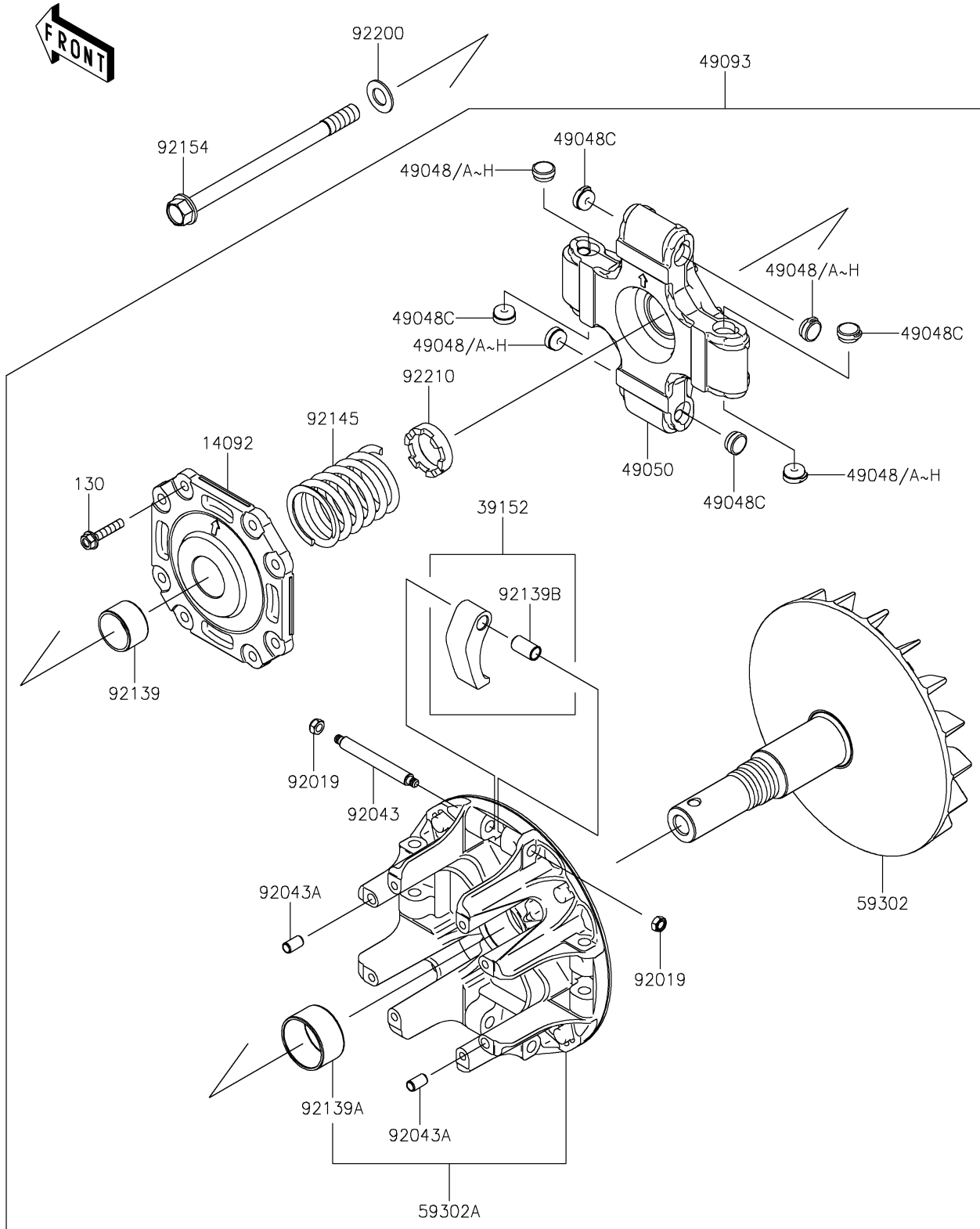


2025 MULE PRO-FXT 1000 LE Ranch Edition

PARTS DIAGRAM

Drive Converter

E1391



2025 MULE PRO-FXT 1000 LE Ranch Edition



PARTS LIST

Drive Converter

ITEM NAME	PART NUMBER	QUANTITY
-----------	-------------	----------
