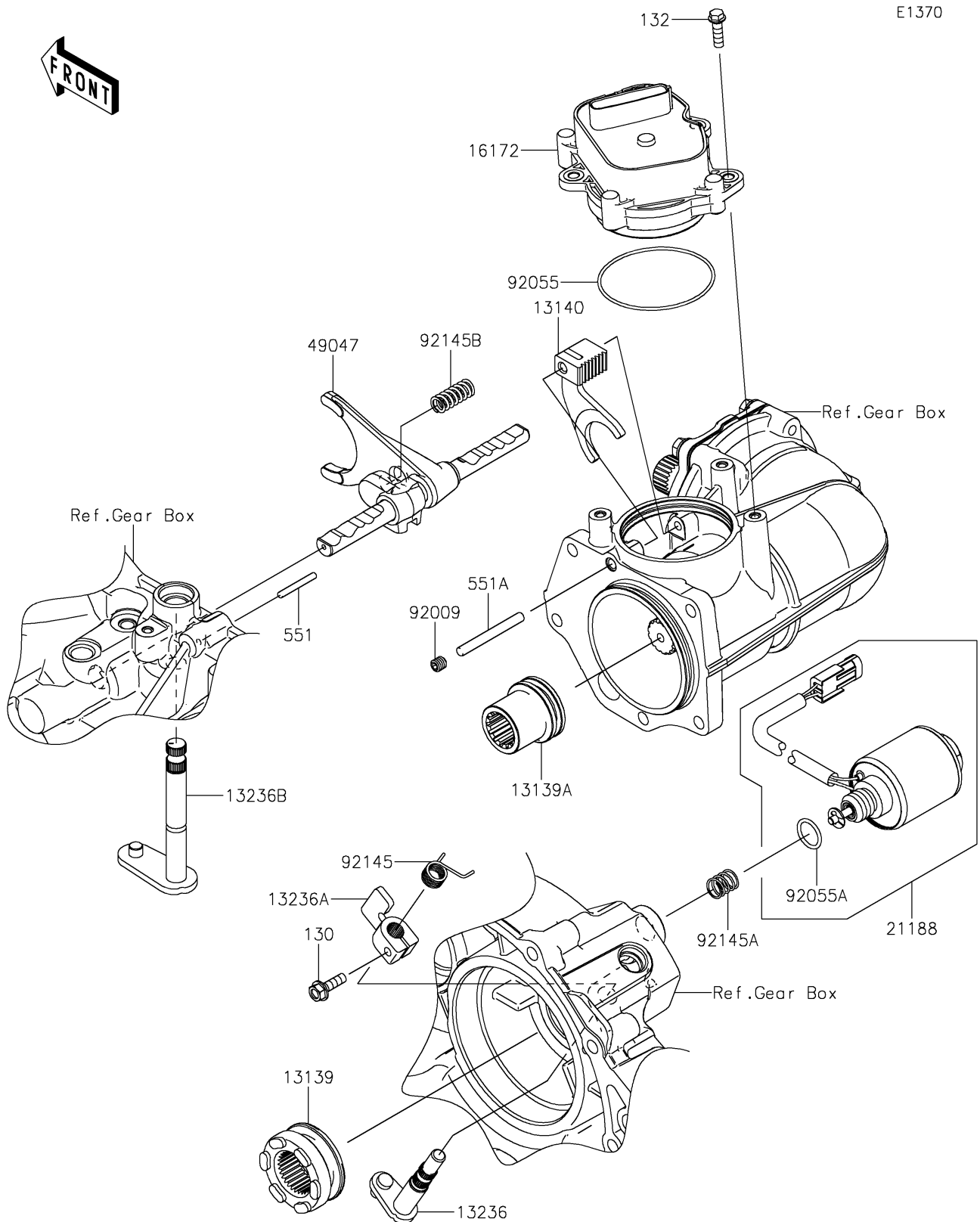


# 2025 MULE PRO-FXT 1000 LE Ranch Edition

## PARTS DIAGRAM

### Gear Change Mechanism



# 2025 MULE PRO-FXT 1000 LE Ranch Edition



## PARTS LIST

### Gear Change Mechanism

ITEM NAME	PART NUMBER	QUANTITY
-----------	-------------	----------

---