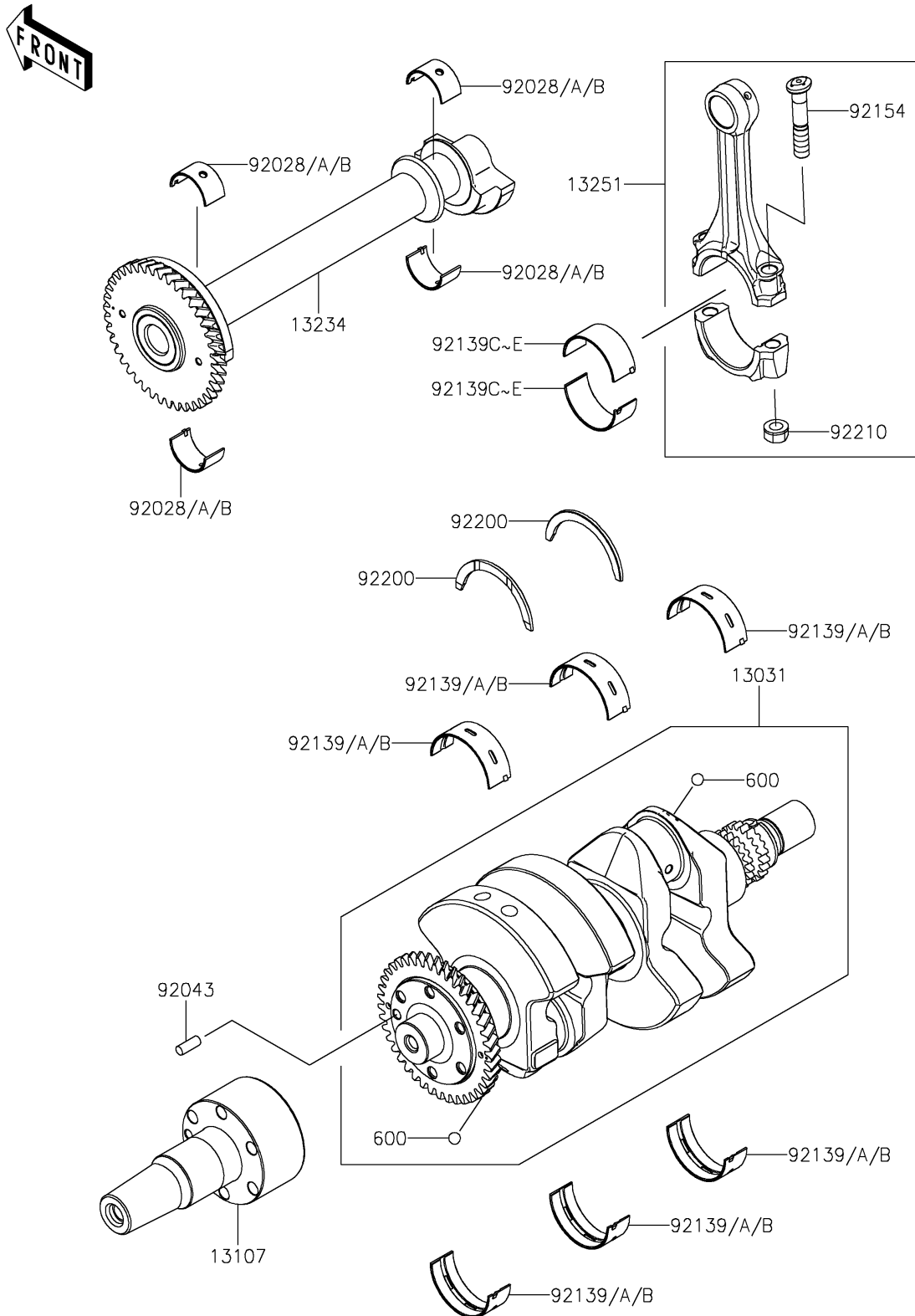


# 2026 MULE PRO-FXT 1000 LE Ranch Edition

## PARTS DIAGRAM

### Crankshaft

E1321



# 2026 MULE PRO-FXT 1000 LE Ranch Edition



## PARTS LIST Crankshaft

ITEM NAME	PART NUMBER	QUANTITY
-----------	-------------	----------

---