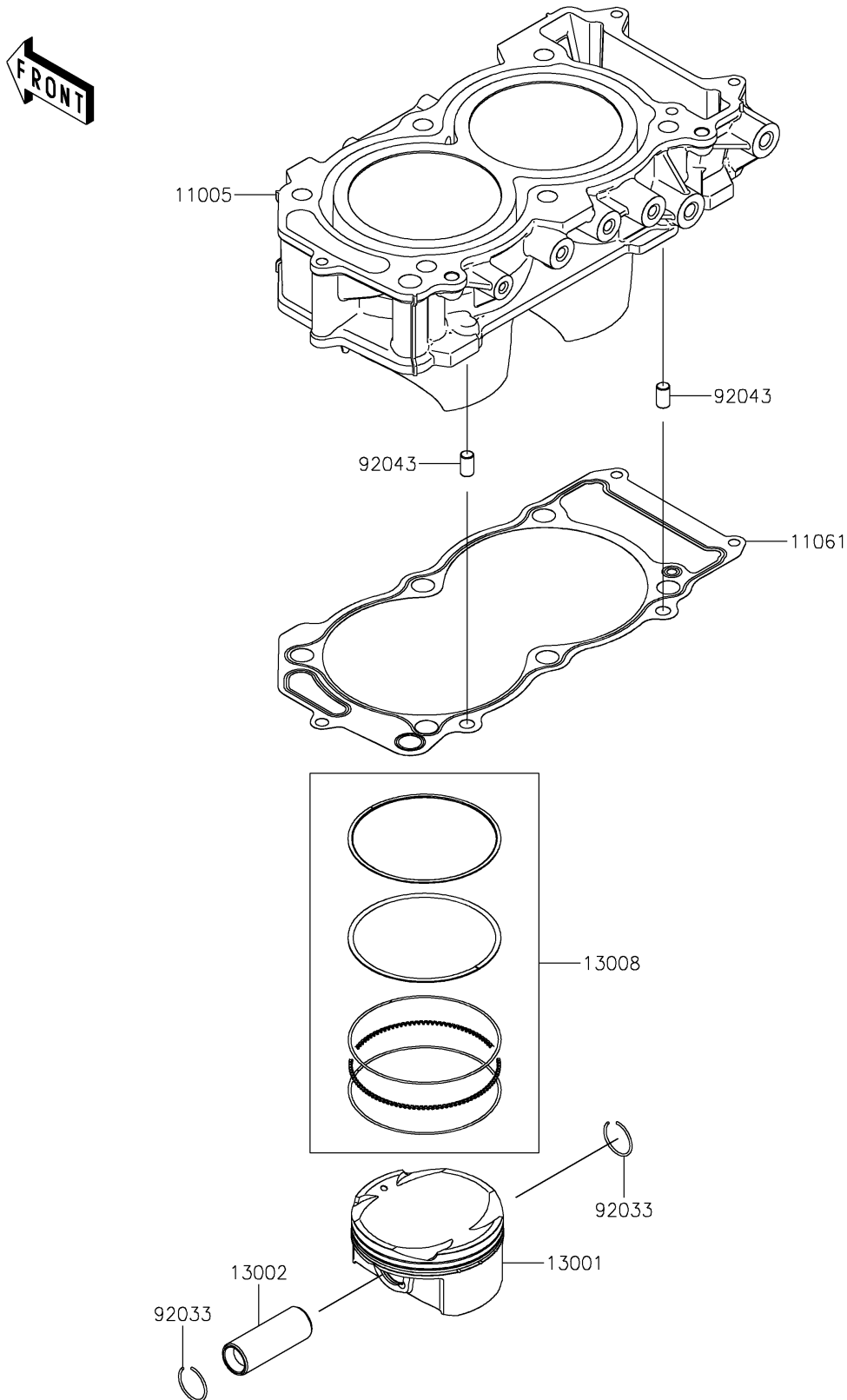


# 2026 MULE PRO-FXT™ 1000 LE RANCH EDITION

## PARTS DIAGRAM Cylinder/Piston(s)

E1120



# 2026 MULE PRO-FXT™ 1000 LE RANCH EDITION



## PARTS LIST

Cylinder/Piston(s)

ITEM NAME	PART NUMBER	QUANTITY
-----------	-------------	----------

---