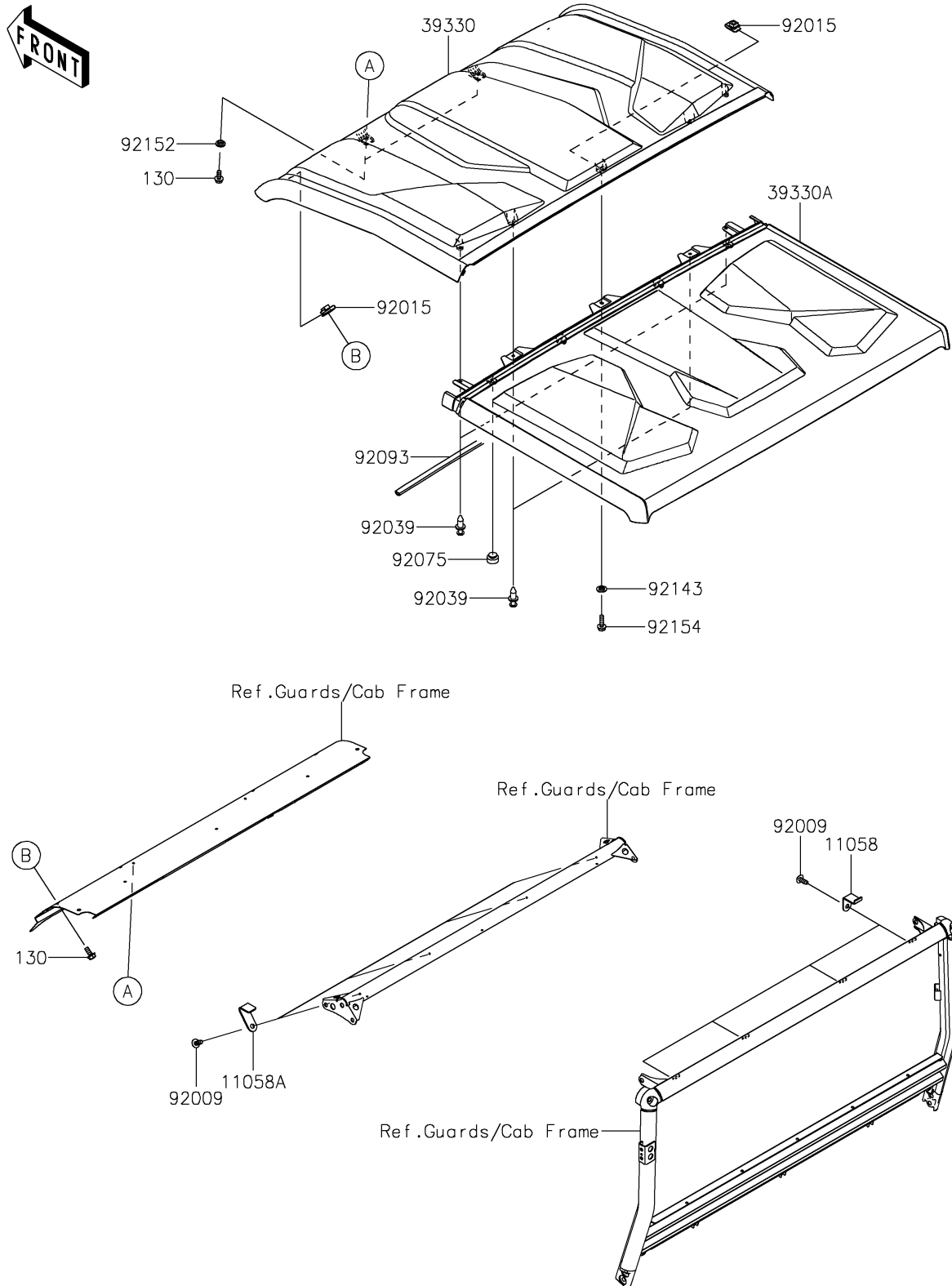


# 2026 RIDGE® CREW

## PARTS DIAGRAM

### Sun Top

F2876



# 2026 RIDGE® CREW

## PARTS LIST

### Sun Top

ITEM NAME	PART NUMBER	QUANTITY
BRACKET,ROOF (Ref # 11058)	11058-0254	4
BRACKET,ROOF,MID (Ref # 11058A)	11058-2052	4
ROOF,FR (Ref # 39330)	39330-0003	1
ROOF,RR (Ref # 39330A)	39330-0004	1
SCREW,TAPPING,6X16 (Ref # 92009)	92009-1166	8
NUT,6MM (Ref # 92015)	92015-1602	3
RIVET (Ref # 92039)	92039-0776	4
DAMPER (Ref # 92075)	92075-1598	4
SEAL,ROOF,MID (Ref # 92093)	92093-0815	1
COLLAR (Ref # 92143)	92143-1087	1
COLLAR,6.3X9.5X4.1 (Ref # 92152)	92152-1571	2
BOLT,FLANGED,6X20 (Ref # 92154)	92154-7737	1
BOLT-FLANGED,6X14 (Ref # 130)	130BA0614	4