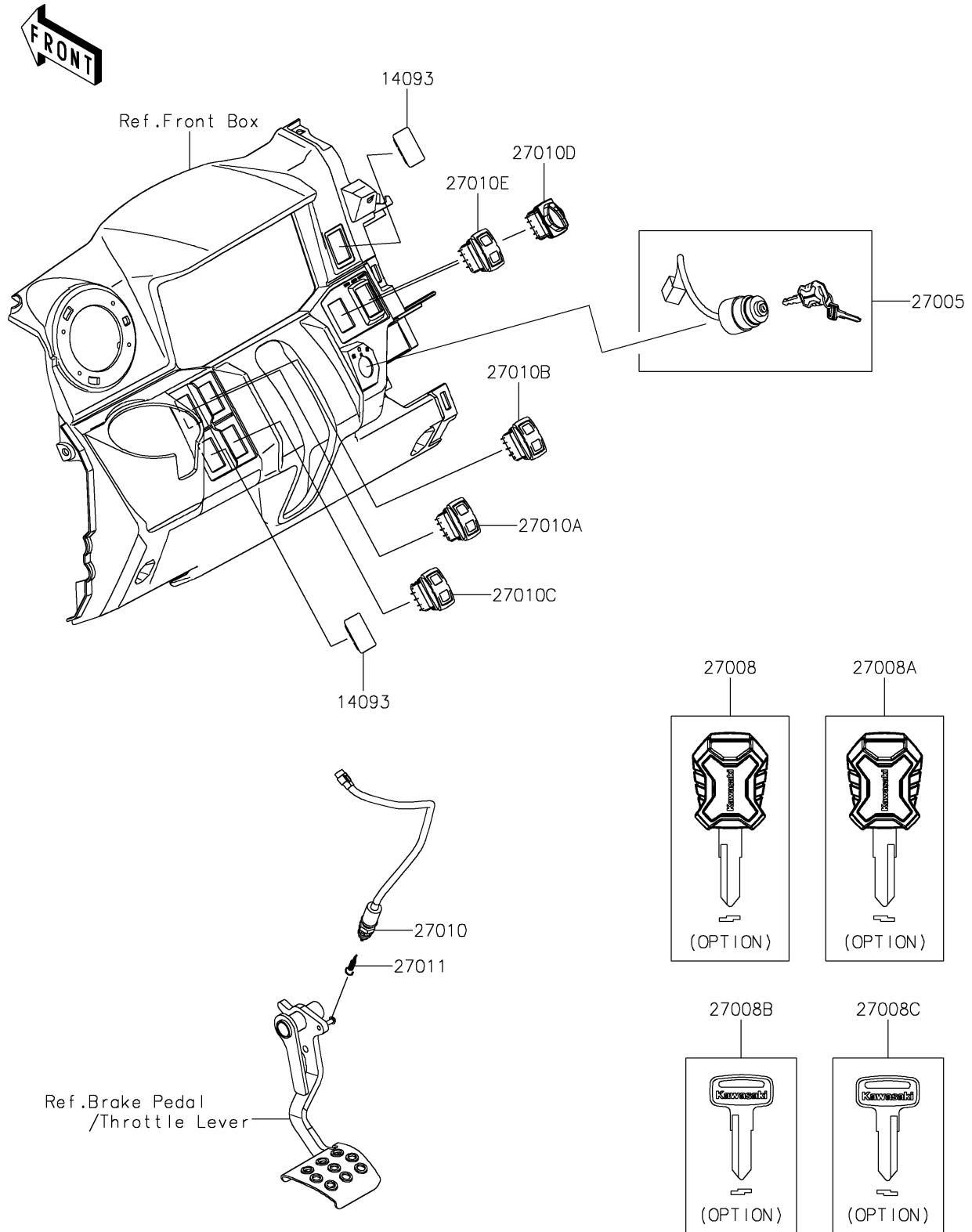


# 2026 RIDGE CREW

## PARTS DIAGRAM

### Ignition Switch

F2770



# 2026 RIDGE CREW

## PARTS LIST

### Ignition Switch

**ITEM NAME**

**PART NUMBER**

**QUANTITY**

---