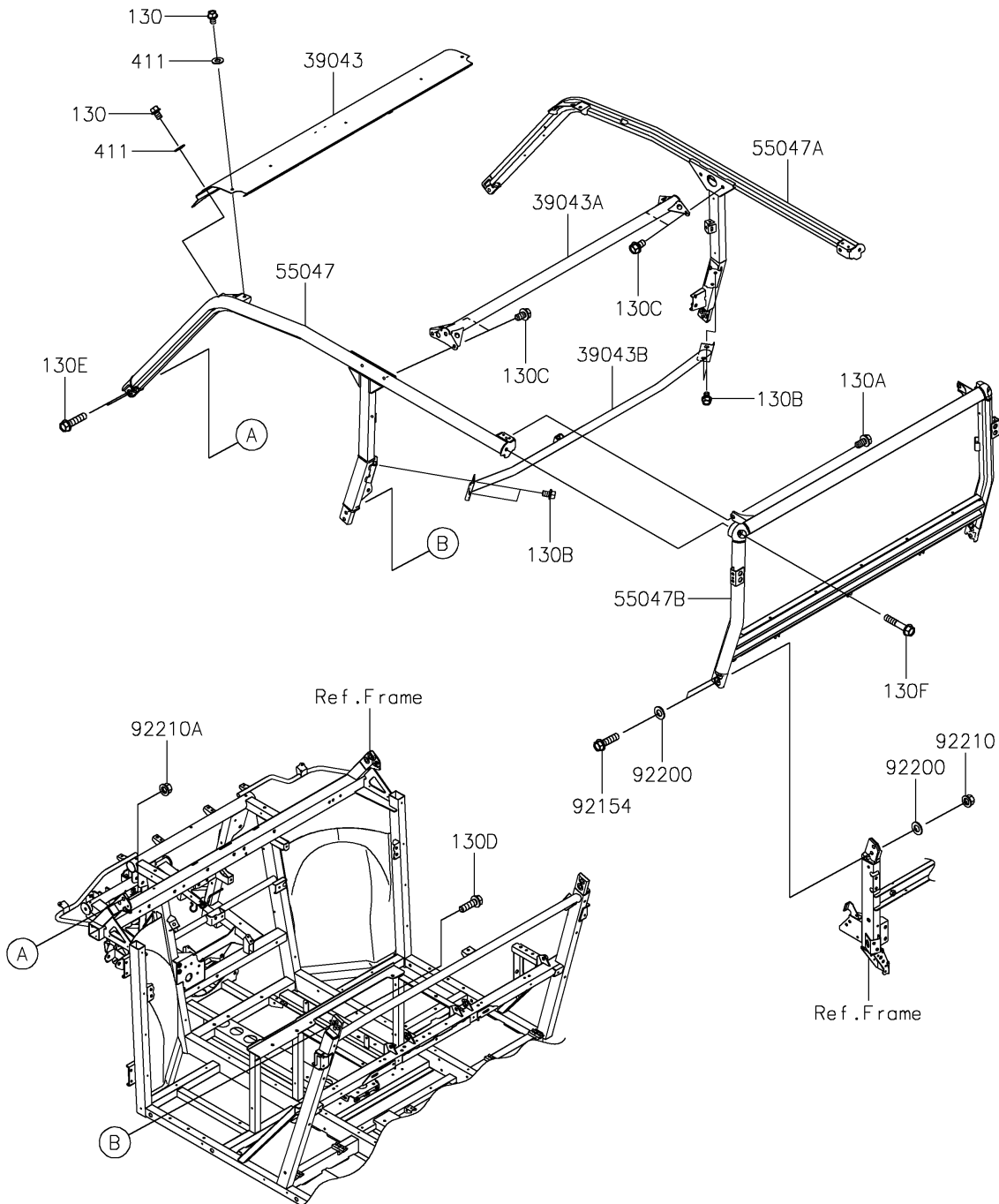


2026 RIDGE CREW

PARTS DIAGRAM

Guards/Cab Frame

F2681



2026 RIDGE CREW

PARTS LIST

Guards/Cab Frame

ITEM NAME	PART NUMBER	QUANTITY
CROSSMEMBER-COMP,UPP,FR,T.BLK (Ref # 39043)	39043-0037-388	1
CROSSMEMBER-COMP,B-P,UPP,T.BLK (Ref # 39043A)	39043-0044-388	1
CROSSMEMBER-COMP,B-P,MID,T.BLK (Ref # 39043B)	39043-0350-388	1
BAR-COMP,A/B-PILLAR,LH,T.BLACK (Ref # 55047)	55047-0465-388	1
BAR-COMP,A/B-PILLAR,RH,T.BLACK (Ref # 55047A)	55047-0466-388	1
BAR-COMP,C-PILLAR,T.BLACK (Ref # 55047B)	55047-0467-388	1
BOLT,FLANGED,12X50 (Ref # 92154)	92154-7768	4
WASHER,13.8X26X2.3 (Ref # 92200)	92200-2830	8
NUT,12MM (Ref # 92210)	92210-0603	4
NUT,FLANGED,12MM (Ref # 92210A)	92210-1932	4
BOLT-FLANGED,10X14 (Ref # 130)	130CA1014	4
BOLT-FLANGED,12X22 (Ref # 130A)	130CA1222	2
BOLT-FLANGED,10X14 (Ref # 130B)	130CB1014	4
BOLT-FLANGED,12X20 (Ref # 130C)	130CB1220	4
BOLT-FLANGED,12X40 (Ref # 130D)	130CB1240	4
BOLT-FLANGED,12X50 (Ref # 130E)	130CB1250	4
BOLT-FLANGED,12X60 (Ref # 130F)	130CB1260	2
WASHER-PLAIN,10MM (Ref # 411)	411AA1000	4