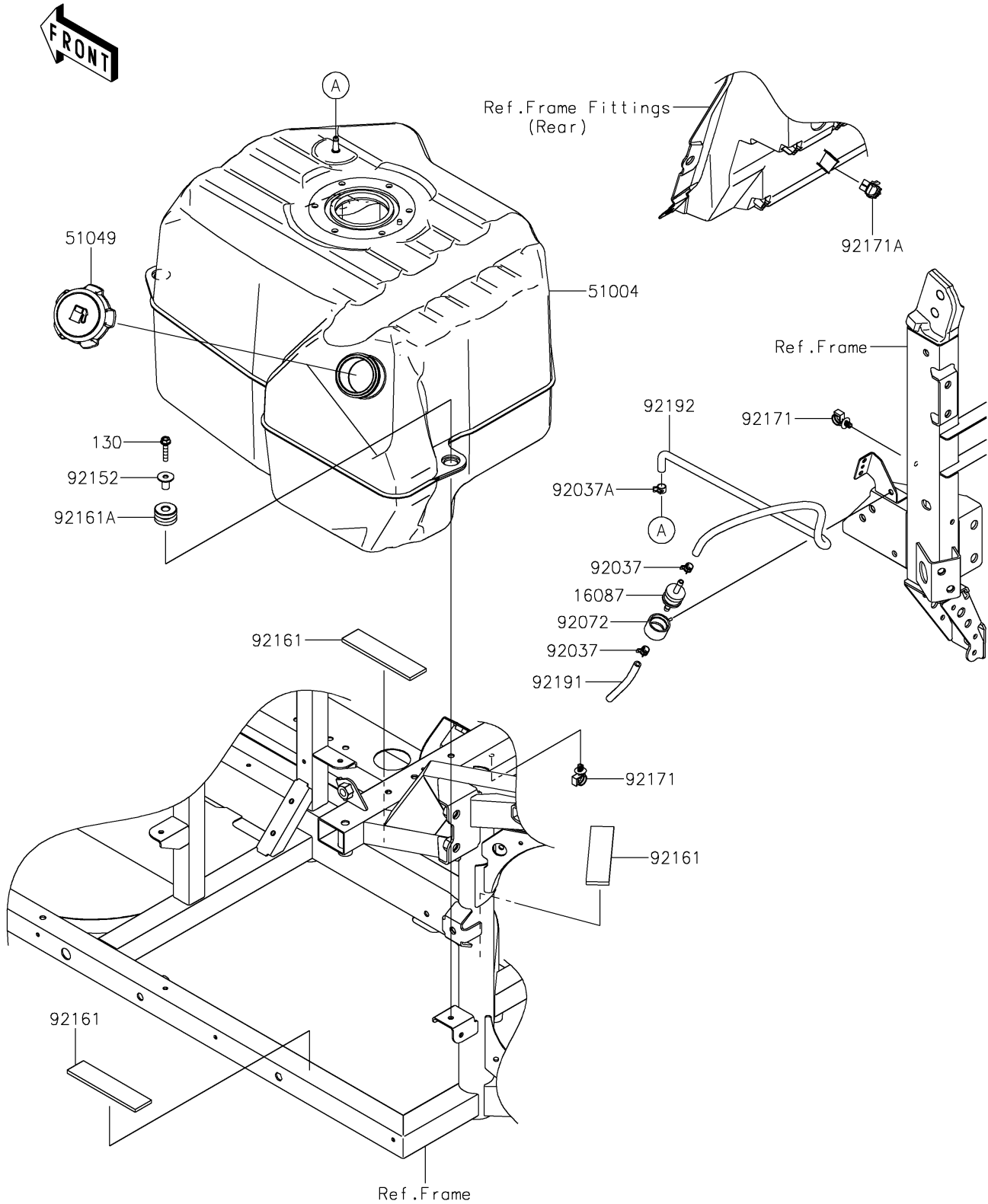


# 2026 RIDGE CREW

## PARTS DIAGRAM

### Fuel Tank(US)

F2410



# 2026 RIDGE CREW

## PARTS LIST

Fuel Tank(US)

**ITEM NAME**

**PART NUMBER**

**QUANTITY**

---