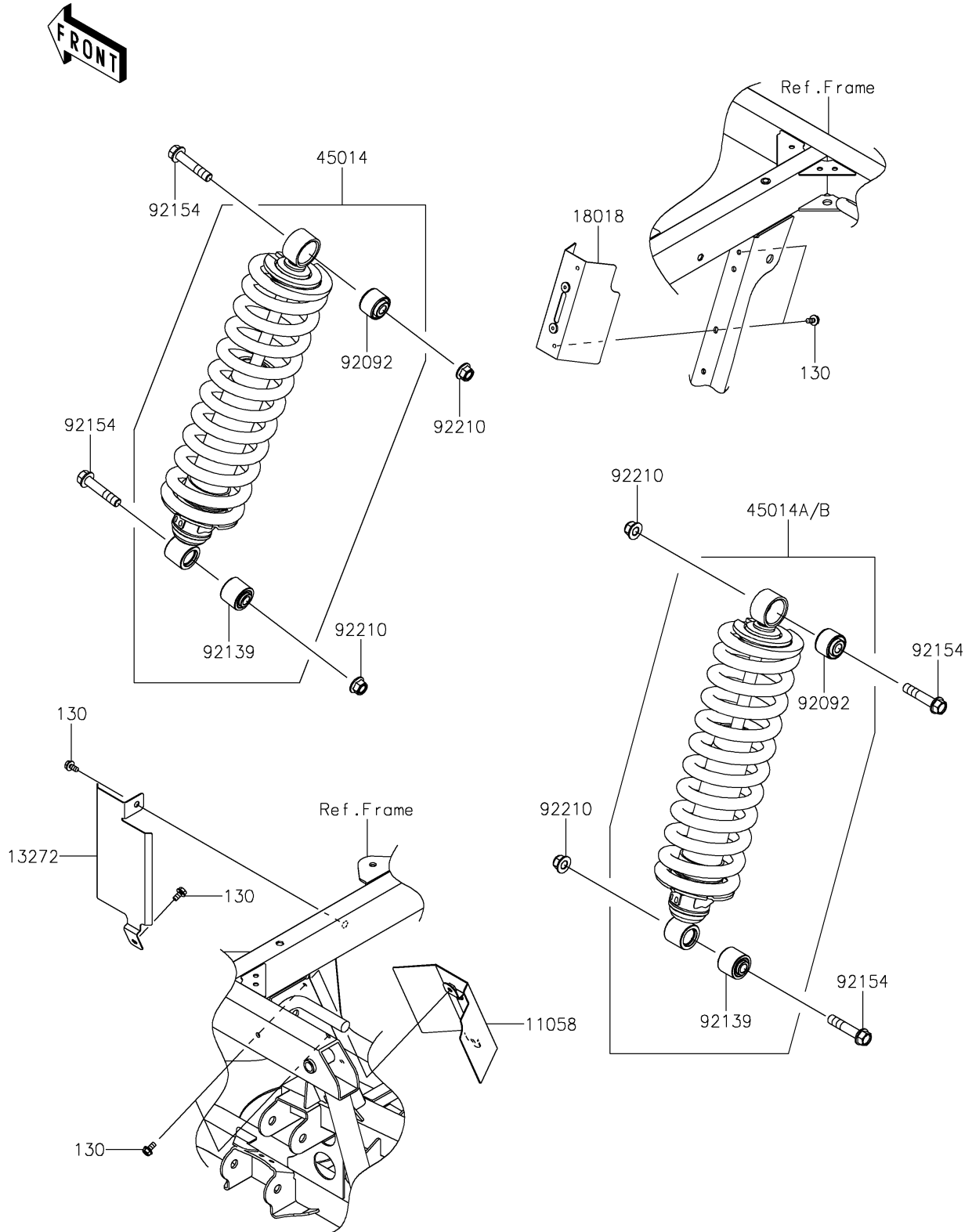


2026 RIDGE CREW

PARTS DIAGRAM

Shock Absorber(s)

F2280



2026 RIDGE CREW

PARTS LIST

Shock Absorber(s)

ITEM NAME	PART NUMBER	QUANTITY
BRACKET,HEAT GUARD (Ref # 11058)	11058-0842	1
PLATE,HEAT GUARD (Ref # 13272)	13272-4206	1
PLATE-HEAT GUARD (Ref # 18018)	18018-0654	1
SHOCKABSORBER,FR,P.SILVER (Ref # 45014)	45014-0966-458	2
SHOCKABSORBER,RR,P.SILVER (Ref # 45014A)	45014-0967-458	2
SHOCKABSORBER,RR,P.SILVER (Ref # 45014B)	45014-1851-458	2
BUSHING-RUBBER (Ref # 92092)	92092-0048	4
BUSHING (Ref # 92139)	92139-1282	4
BOLT,FLANGED,12X58 (Ref # 92154)	92154-7080	8
NUT,LOCK,FLANGED,12MM (Ref # 92210)	92210-1931	8
BOLT-FLANGED,6X12 (Ref # 130)	130BA0612	6